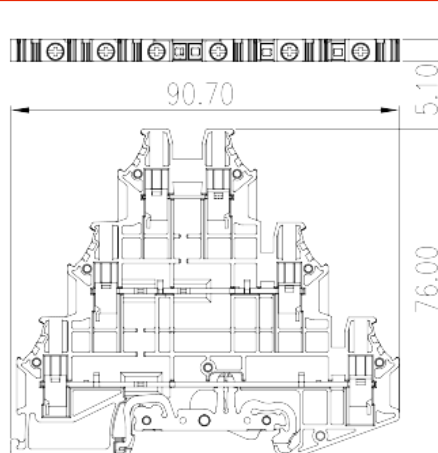
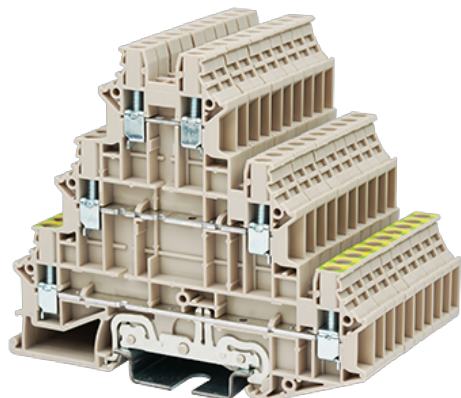


# DK2.5N-3L-L3PE

DIN

>

:2026-07-05



M2.5, 600V, 20A

	Three level Feed-Through Terminal Block, Screw Connection
	Three level Feed-Through Terminal Block
	Beige (default)
	Screw Connection
(mm)	90.7
(mm)	5.1
(mm)	76
	Three level
	6
	PA
	I
UL 94	V0
	500M at DC 500V
-IEC	



(V)	1000
(A)	24
(III/3)(V)	1000
(III/3)(KV)	8
(mm <sup>2</sup> )	0.34
(mm <sup>2</sup> )	4
(mm <sup>2</sup> )	0.34
(mm <sup>2</sup> )	2.5
(mm <sup>2</sup> ) , ,	0.5
(mm <sup>2</sup> ) , ,	2.5
(mm <sup>2</sup> ) , ,	0.5
(mm <sup>2</sup> ) , ,	2.5
2 (mm <sup>2</sup> )	0.34
2 (mm <sup>2</sup> )	1.5
2 (mm <sup>2</sup> )	0.5
2 (mm <sup>2</sup> )	1.5
(mm <sup>2</sup> ) 2 , ,	0.5
(mm <sup>2</sup> ) 2 , ,	1.5
2 (mm <sup>2</sup> ) , ,	0.5
2 (mm <sup>2</sup> ) , ,	1.5
	M2.5
Philips	0.6x3.5
(N.m)	0.4
(N.m)	0.5
	YES
	YES

**-UL**

(UL/CUL Group B)(V)	600
(UL/CUL Group B)(A)	20 ( Upper Levels )
(UL/CUL Group C)(V)	600

(UL/CUL Group C)(A)		20 ( Upper Levels )
(UL/CUL Group D)(V)		600
(UL/CUL Group D)(A)		5 ( Upper Levels )
UL/CUL	AWG	22
UL/CUL	AWG	12
UL/CUL	AWG	22
UL/CUL	AWG	12

&

(YES or NO)		YES
가 (YES or NO)		YES
		120
		-40

## UL

(Group B)(AWG)		22~12
(Group B)(V)		600
(Group B)(A)		20
(Group C)(AWG)		22~12
(Group C)(V)		600
(Group C)(A)		20
(Group D)(AWG)		22~12
(Group D)(V)		600
(Group D)(A)		5

## CUL

(Group B)(AWG)		22~12
(Group B)(V)		600
(Group B)(A)		20
(Group C)(AWG)		22~12
(Group C)(V)		600
(Group C)(A)		20
(Group D)(AWG)		22~12
(Group D)(V)		600
(Group D)(A)		5

