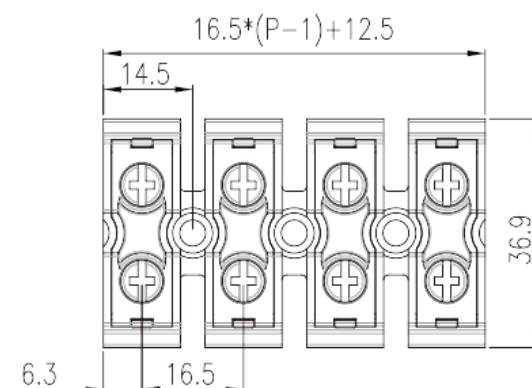


PM10H-16P

NEMA

>

:2026-07-04



600V, 65A, Beige (default)

	Panel Mounting
(mm)	14.5
	Refer to drawing
	Screw Connection
	With mounting flange
(mm)	$14.5 * (P-1) + 11$
(mm)	33.5
(mm)	26.9
()	02P~16P
	Single level
	2
	PA
	I
UL 94	V0
	500M at DC 500V
	COPPER ALLOY



Tin PLATED

-IEC

(V)	1000
(A)	76
(II/2)(V)	1000
(III/2)(V)	1000
(III/3)(V)	1000
(II/2)(KV)	8
(III/2)(KV)	8
(III/3)(KV)	8
(mm ²)	0.5
(mm ²)	16
(mm ²)	0.5
(mm ²)	16
(mm ²) , ,	0.5
(mm ²) , ,	6
(mm ²) , ,	0.5
(mm ²) , ,	4
2 (mm ²)	0.5
2 (mm ²)	6
2 (mm ²)	0.5
2 (mm ²)	6
(mm ²) ² , ,	0.5
(mm ²) ² , ,	6
2 (mm ²) , ,	0.5
2 (mm ²) , ,	4
	M4
Width)(mm) (Blade thickness x	1.0x5.5
Philips	PH2

(N.m)	1.2
(N.m)	1.5
	10~11

-UL

(UL/CUL Group B)(V)	600
(UL/CUL Group B)(A)	65
(UL/CUL Group C)(V)	600
(UL/CUL Group C)(A)	65
(UL/CUL Group D)(V)	600
(UL/CUL Group D)(A)	5
UL/CUL AWG	20
UL/CUL AWG	6
UL/CUL AWG	20
UL/CUL AWG	6

&

(YES or NO)	YES
가 (YES or NO)	NO
	120
	-40

UL

(Group B)(AWG)	20~6
(Group B)(V)	600
(Group B)(A)	65
(Group C)(AWG)	20~6
(Group C)(V)	600
(Group C)(A)	65

CUL

(Group B)(AWG)	20~6
(Group B)(V)	600
(Group B)(A)	65
(Group C)(AWG)	20~6

(Group C)(V)	600
(Group C)(A)	65

VDE

(mm ²)	0.5~16
(V)	1000
(A)	76

