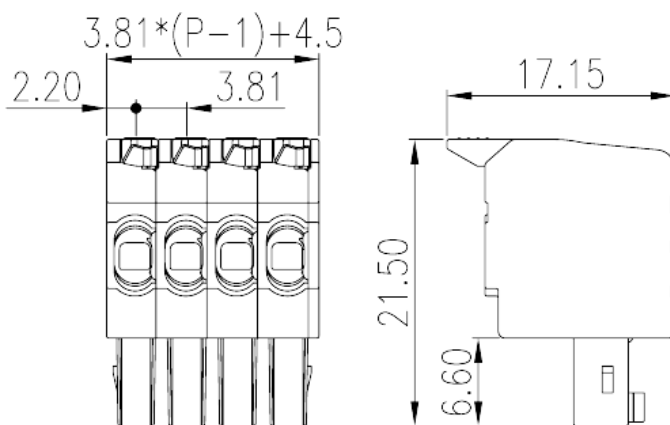
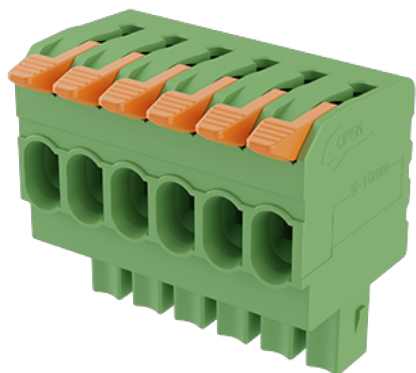


0256-81XX

PCB > PCB -

:2026-07-06



Pitch: 3.81mm, 300V, 8A

	PCB Connector, Push-in Design
	PCB Connector – Plug
(mm)	3.81
	Push-in Design
	Without
(mm)	$3.81*(P-1)+4.3$
(mm)	17.15
(mm)	21.5
()	02P~24P
	Single level
	PA
	I
UL 94	V0
	500M at DC 500V
	COPPER ALLOY
	Tin PLATED

-IEC

(V)		320
(A)		10
(II/2)(V)		320
(III/2)(V)		160
(III/3)(V)		160
(II/2)(KV)		2.5
(III/2)(KV)		2.5
(III/3)(KV)		2.5
(mm ²)		0.14
(mm ²)		1.5
(mm ²)		0.14
(mm ²)		1.5
(mm ²)	,	0.25
(mm ²)	,	1.5
(mm ²)	,	0.25
(mm ²)	,	0.75
2 (mm ²)	,	0.5
2 (mm ²)	,	0.5
		9~10

-UL

(UL/CUL Group B)(V)		300
(UL/CUL Group B)(A)		8
(UL/CUL Group C)(V)		150
(UL/CUL Group C)(A)		8
(UL/CUL Group D)(V)		300
(UL/CUL Group D)(A)		8
UL/CUL	AWG	28
UL/CUL	AWG	16
UL/CUL	AWG	28

UL/CUL	AWG	16
&		
가	(YES or NO)	YES
		120
		-40

