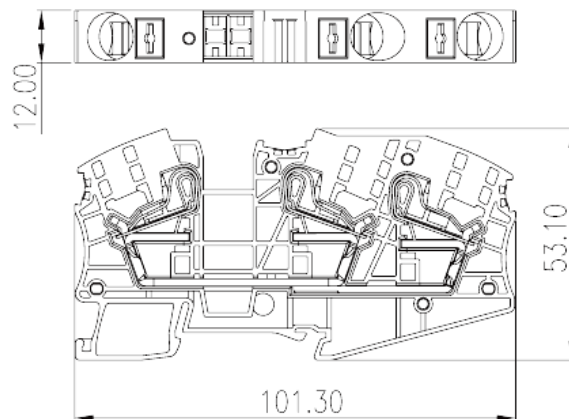
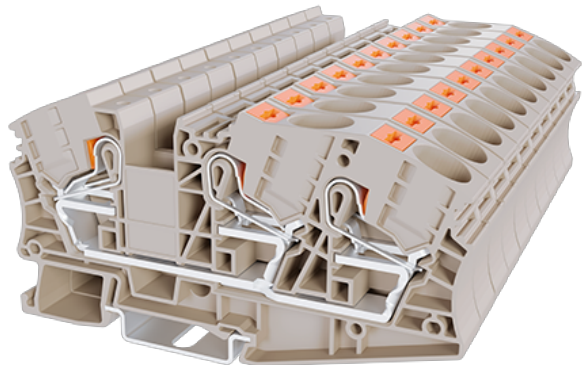


DP16-TN

DIN

>

:2026-07-05



600V, 76A, Beige (default)

	Single Level Feed-through Terminal Block, Push-in Design
	Single Level Feed-through Terminal Block
	Refer to drawing
	Push-in Design
(mm)	101.3
(mm)	12
(mm)	54.3 (TS-35N) / 61.8 (TS-35/15N)
()	1P
	Single level
	3
	PA
	I
UL 94	V0
	500M at DC 500V

-IEC

(V)	1000
(A)	76
(III/3)(V)	1000
(III/3)(KV)	8
(mm ²)	0.5
(mm ²)	25
(mm ²)	0.5
(mm ²)	16
(mm ²) , ,	0.5
(mm ²) , ,	16
(mm ²) , ,	0.5
(mm ²) , ,	16
² (mm ²) , ,	1.5
² (mm ²) , ,	4
Width)(mm) (Blade thickness x	1x5.5
	18~19
	TS-35N、TS-35/15N
	YES
	NO

-UL

(UL/CUL Group B)(V)	600
(UL/CUL Group B)(A)	76
(UL/CUL Group C)(V)	600
(UL/CUL Group C)(A)	76
(UL/CUL Group D)(V)	600
(UL/CUL Group D)(A)	5
UL/CUL AWG	20
UL/CUL AWG	4
UL/CUL AWG	20
UL/CUL AWG	4



&

(YES or NO)	YES
가 (YES or NO)	YES
	120
	-40

UL

(Group B)(AWG)	20~4
(Group B)(V)	600
(Group B)(A)	76
(Group C)(AWG)	20~4
(Group C)(V)	600
(Group C)(A)	76
(Group D)(AWG)	20~4
(Group D)(V)	600
(Group D)(A)	5

CUL

(Group B)(AWG)	20~4
(Group B)(V)	600
(Group B)(A)	76
(Group C)(AWG)	20~4
(Group C)(V)	600
(Group C)(A)	76
(Group D)(AWG)	20~4
(Group D)(V)	600
(Group D)(A)	5

--	--

