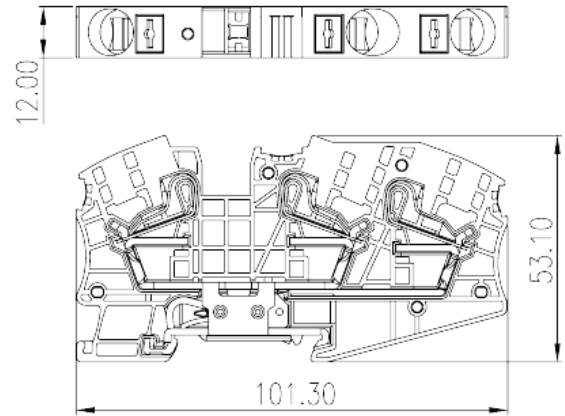
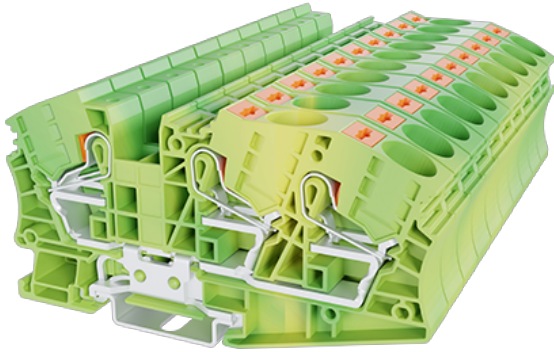


DP16-TN-PE

DIN

>

:2026-07-05



600V, Yellow-Green (default)

	Grounding Terminal Block, Push-in Design
	Grounding Terminal Block
	Refer to drawing
	Push-in Design
	Rail Mounting
(mm)	101.3
(mm)	12
(mm)	54.3 (TS-35N) / 61.8 (TS-35/15N)
()	1P
	Single level
	3
	PA
	I
UL 94	V0
	500M at DC 500V

-IEC

(V)		1000
(III/3)(V)		1000
(III/3)(KV)		8
(mm ²)		0.5
(mm ²)		25
(mm ²)		0.5
(mm ²)		16
(mm ²)	,	0.5
(mm ²)	,	16
(mm ²)	,	0.5
(mm ²)	,	16
	² (mm ²) ,	1.5
	² (mm ²) ,	4
Width)(mm)	(Blade thickness x	1x5.5
		18~19
		TS-35N、TS-35/15N
		YES
		YES

-UL

(UL/CUL Group B)(V)		600
(UL/CUL Group C)(V)		600
(UL/CUL Group D)(V)		600
UL/CUL	AWG	20
UL/CUL	AWG	4
UL/CUL	AWG	20
UL/CUL	AWG	4

&

(YES or NO)		YES
-------------	--	-----

가	(YES or NO)	YES
		120
		-40

UL

(Group B)(AWG)	20~4
(Group B)(V)	600
(Group C)(AWG)	20~4
(Group C)(V)	600
(Group D)(AWG)	20~4
(Group D)(V)	600

CUL

(Group B)(AWG)	20~4
(Group B)(V)	600
(Group C)(AWG)	20~4
(Group C)(V)	600
(Group D)(AWG)	20~4
(Group D)(V)	600

