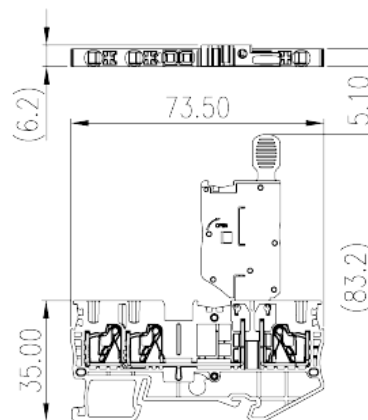
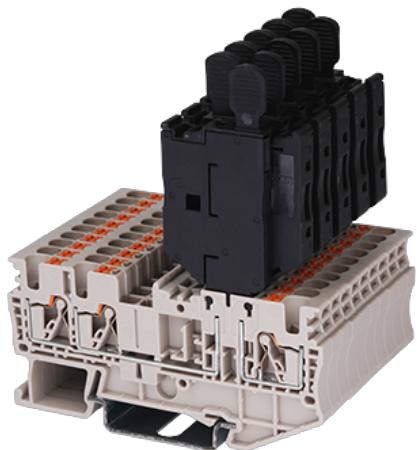


# DP2.5N-TN-M

DIN

>

:2026-05-14



300V, 10A, Beige (default)

|       |                                     |
|-------|-------------------------------------|
|       | Fuse Terminal Block, Push-in Design |
|       | Fuse Terminal Block                 |
|       | Refer to drawing                    |
|       | Push-in Design                      |
|       | Rail Mounting                       |
| (mm)  | 73.5                                |
| (mm)  | 6.2                                 |
| (mm)  | 84.7 ( TS-35N ) / 92.2 (TS-35/15N)  |
| ( )   | 1P                                  |
|       | Single level                        |
|       | 3                                   |
|       | PA                                  |
|       | I                                   |
| UL 94 | V0                                  |
|       | 500M at DC 500V                     |

**-IEC**

|                                     |  |
|-------------------------------------|--|
| (V)                                 | 400  |
| (A)                                 | 6.3 (the Current is determined by the fuse used) |
| (III/3)(V)                          | 400  |
| (III/3)(KV)                         | 4  |
| (mm <sup>2</sup> )                  | 0.2  |
| (mm <sup>2</sup> )                  | 4  |
| (mm <sup>2</sup> )                  | 0.2  |
| (mm <sup>2</sup> )                  | 2.5  |
| (mm <sup>2</sup> ) , ,              | 0.25   |
| (mm <sup>2</sup> ) , ,              | 2.5  |
| (mm <sup>2</sup> ) , ,              | 0.25   |
| (mm <sup>2</sup> ) , ,              | 2.5  |
| <sup>2</sup> (mm <sup>2</sup> ) , , | 0.5  |
| <sup>2</sup> (mm <sup>2</sup> ) , , | 0.5  |
| Width)(mm) (Blade thickness x       | 0.6x3.5  |
|                                     | 10   |
|                                     | TS-35N、TS-35/15N                                 |
|                                     | YES  |
|                                     | NO   |

**-UL**

|                     |     |
|---------------------|-----|
| (UL/CUL Group B)(V) | 300 |
| (UL/CUL Group B)(A) | 10  |
| UL/CUL AWG          | 26  |
| UL/CUL AWG          | 12  |
| UL/CUL AWG          | 26  |
| UL/CUL AWG          | 12  |

**&**

|             |     |
|-------------|-----|
| (YES or NO) | YES |
|-------------|-----|

|   |             |     |
|---|-------------|-----|
| 가 | (YES or NO) | YES |
|   |             | 120 |
|   |             | -40 |

