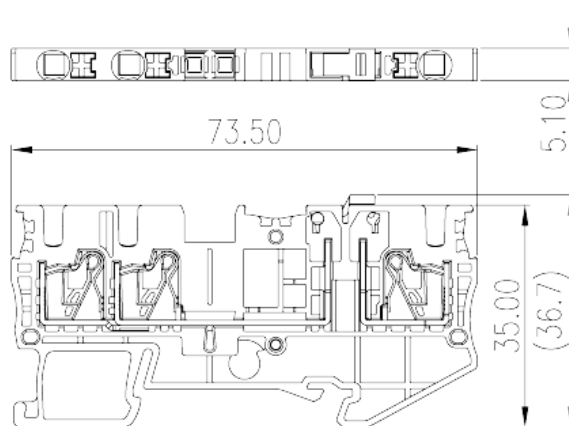
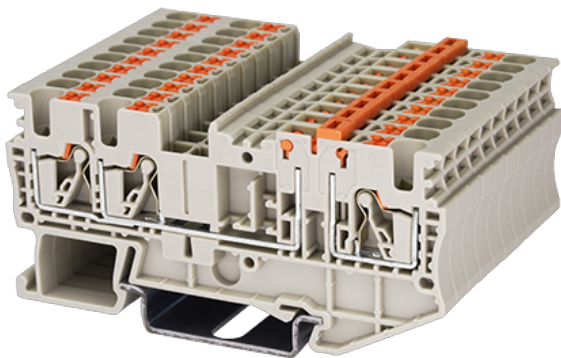


DP2.5N-TN-TG

DIN

>

:2026-05-14



300V, 18A, Beige (default)

	Disconnect Terminal Block, Push-in Design
	Disconnect Terminal Block
	Refer to drawing
	Push-in Design
	Rail Mounting
(mm)	73.5
(mm)	5.1
(mm)	38.2 (TS-35N) / 45.7 (TS-35/15N)
()	1P
	Single level
	3
	PA
	I
UL 94	V0
	500M at DC 500V

-IEC

(V)	400
(A)	20
(III/3)(V)	400
(III/3)(KV)	6
(mm ²)	0.2
(mm ²)	4
(mm ²)	0.2
(mm ²)	2.5
(mm ²) , ,	0.25
(mm ²) , ,	2.5
(mm ²) , ,	0.25
(mm ²) , ,	2.5
² (mm ²) , ,	0.5
² (mm ²) , ,	0.5
Width)(mm) (Blade thickness x	0.6x3.5
	10
	TS-35N、TS-35/15N
	YES
	NO

-UL

(UL/CUL Group B)(V)	300
(UL/CUL Group B)(A)	18
(UL/CUL Group C)(V)	300
(UL/CUL Group C)(A)	18
(UL/CUL Group D)(V)	300
(UL/CUL Group D)(A)	10
UL/CUL AWG	26
UL/CUL AWG	12
UL/CUL AWG	26



UL/CUL	AWG	12
&		
	(YES or NO)	YES
가	(YES or NO)	YES
		120
		-40

UL

	(Group B)(AWG)	26~12
	(Group B)(V)	300
	(Group B)(A)	18
	(Group C)(AWG)	26~12
	(Group C)(V)	300
	(Group C)(A)	18
	(Group D)(AWG)	26~12
	(Group D)(V)	300
	(Group D)(A)	10

CUL

	(Group B)(AWG)	26~12
	(Group B)(V)	300
	(Group B)(A)	18
	(Group C)(AWG)	26~12
	(Group C)(V)	300
	(Group C)(A)	18
	(Group D)(AWG)	26~12
	(Group D)(V)	300
	(Group D)(A)	10

--	--	--

