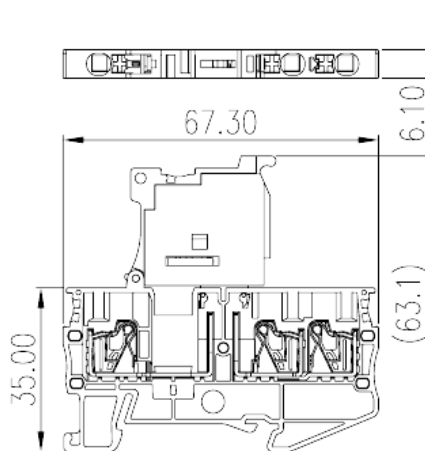
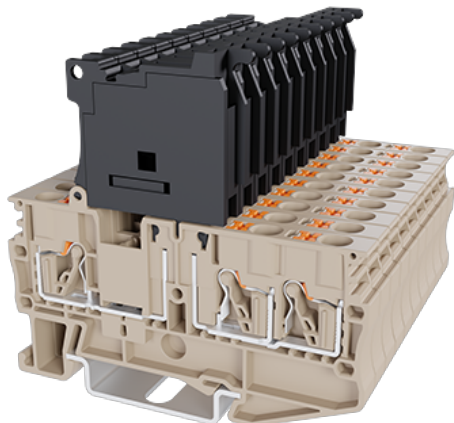


DP2.5NU-TN-TF

DIN

>

:2026-05-14



300V, 12A, Beige (default)

	Fuse Terminal Block, Push-in Design
	Fuse Terminal Block
	Refer to drawing
	Push-in Design
	Rail Mounting
(mm)	67.3
(mm)	6.1
(mm)	64.6 (TS-35N) / 72.1 (TS-35/15N)
()	1P
	Single level
	3
	PA
	I
UL 94	V0
	500M at DC 500V

-IEC

(V)	250
(A)	6.3 (the Current is determined by the fuse used)
(III/3)(V)	250
(III/3)(KV)	4
(mm ²)	0.14
(mm ²)	4
(mm ²)	0.14
(mm ²)	2.5
(mm ²) , ,	0.25
(mm ²) , ,	2.5
(mm ²) , ,	0.25
(mm ²) , ,	2.5
² (mm ²) , ,	0.5
² (mm ²) , ,	0.5
Width)(mm) (Blade thickness x	0.6x3.5
	9~10
	TS-35N、TS-35/15N
	YES
	NO

-UL

(UL/CUL Group B)(V)	300
(UL/CUL Group B)(A)	12
(UL/CUL Group C)(V)	300
(UL/CUL Group C)(A)	12
UL/CUL AWG	26
UL/CUL AWG	12
UL/CUL AWG	26
UL/CUL AWG	12

&

(YES or NO)	YES
가 (YES or NO)	YES
	120
	-40

UL

(Group B) (AWG)	26~12
(Group B) (V)	300
(Group B) (A)	12
(Group C) (AWG)	26~12
(Group C) (V)	300
(Group C) (A)	12

CUL

(Group B) (AWG)	26~12
(Group B) (V)	300
(Group B) (A)	12
(Group C) (AWG)	26~12
(Group C) (V)	300
(Group C) (A)	12

