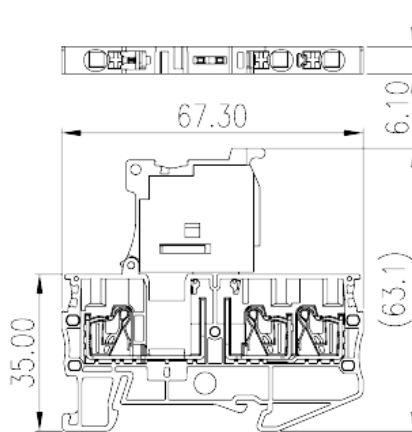
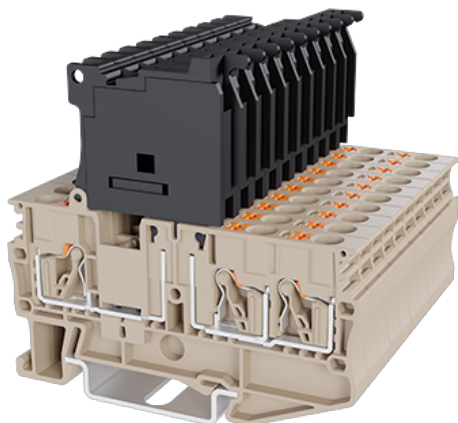


# DP2.5NU-TN-TFLXX

DIN

>

:2026-07-05



24V/60V/110V/250V, 12A, Beige (default)

	Fuse Terminal Block, Push-in Design
	Fuse Terminal Block
	Refer to drawing
	Push-in Design
	Rail Mounting
(mm)	67.3
(mm)	6.1
(mm)	64.6 ( TS-35N ) / 72.1 ( TS-35/15N )
( )	1P
	Single level
	3
	PA
	I
UL 94	V0

500M at DC 500V

**-IEC**

(V)	24/60/110/250
(A)	6.3 (the Current is determined by the fuse used)
(III/3)(V)	24/60/110/250
(III/3)(KV)	4
(mm <sup>2</sup> )	0.14
(mm <sup>2</sup> )	4
(mm <sup>2</sup> )	0.14
(mm <sup>2</sup> )	2.5
(mm <sup>2</sup> )	0.25
(mm <sup>2</sup> )	2.5
(mm <sup>2</sup> )	0.25
(mm <sup>2</sup> )	2.5
<sup>2</sup> (mm <sup>2</sup> )	0.5
<sup>2</sup> (mm <sup>2</sup> )	0.5
Width)(mm) (Blade thickness x	0.6x3.5
	9~10
	TS-35N、TS-35/15N
	YES
	NO

**-UL**

(UL/CUL Group B)(V)	24/60/110/250
(UL/CUL Group B)(A)	12
(UL/CUL Group C)(V)	24/60/110/250
(UL/CUL Group C)(A)	12
UL/CUL AWG	26
UL/CUL AWG	12
UL/CUL AWG	26

UL/CUL	AWG	12
<b>&amp;</b>		
(YES or NO)		YES
가 (YES or NO)		YES
		120
		-40

**UL**

(Group B)(AWG)	26~12
(Group B)(V)	24/60/110/250
(Group B)(A)	12
(Group C)(AWG)	26~12
(Group C)(V)	24/60/110/250
(Group C)(A)	12

**CUL**

(Group B)(AWG)	26~12
(Group B)(V)	24/60/110/250
(Group B)(A)	12
(Group C)(AWG)	26~12
(Group C)(V)	24/60/110/250
(Group C)(A)	12

