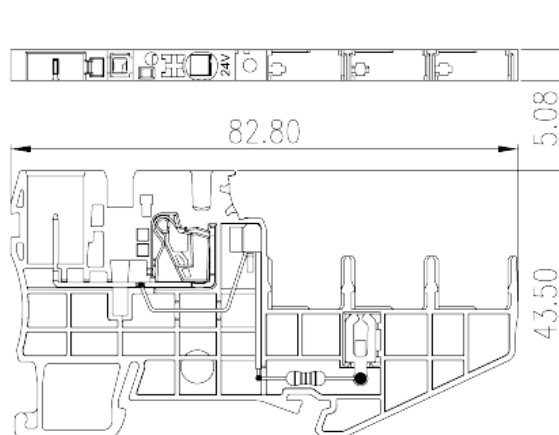
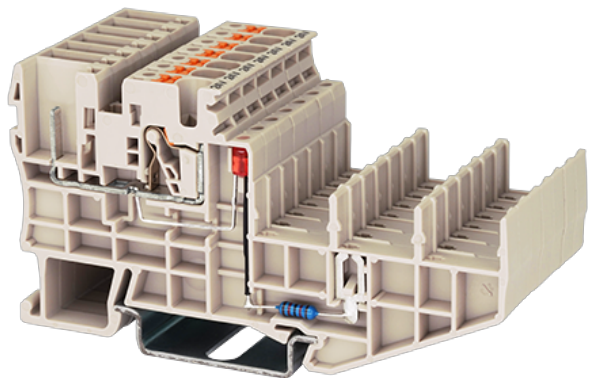


# DP2.5SGRT-L24

DIN

>

:2026-05-14



24V, 20A, Beige (default)

	Component terminal block, Push-in Design
	Component terminal block
	Refer to drawing
	Push-in Design
	Rail Mounting
(mm)	82.8
(mm)	5.08
(mm)	45 ( TS-35N ) / 52.5 ( TS-35/15N )
( )	1P
	Single level
	1
	PA
	I
UL 94	V0
	500M at DC 500V

**-IEC**

(V)	24
(A)	24
(III/3)(V)	24
(III/3)(KV)	6
(mm <sup>2</sup> )	0.14
(mm <sup>2</sup> )	4
(mm <sup>2</sup> )	0.14
(mm <sup>2</sup> )	2.5
(mm <sup>2</sup> ) , ,	0.25
(mm <sup>2</sup> ) , ,	2.5
(mm <sup>2</sup> ) , ,	0.25
(mm <sup>2</sup> ) , ,	2.5
<sup>2</sup> (mm <sup>2</sup> ) , ,	0.5
<sup>2</sup> (mm <sup>2</sup> ) , ,	0.5
Width)(mm) (Blade thickness x	0.6x3.5
	8~10
	TS-35N、TS-35/15N
	YES
	NO

**-UL**

(UL/CUL Group B)(V)	24
(UL/CUL Group B)(A)	20
(UL/CUL Group C)(V)	24
(UL/CUL Group C)(A)	20
UL/CUL AWG	26
UL/CUL AWG	12
UL/CUL AWG	26
UL/CUL AWG	12

&

(YES or NO)	YES
가 (YES or NO)	YES
	120
	-40

