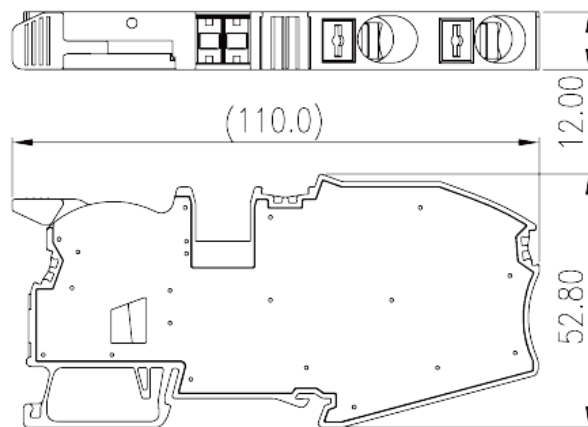
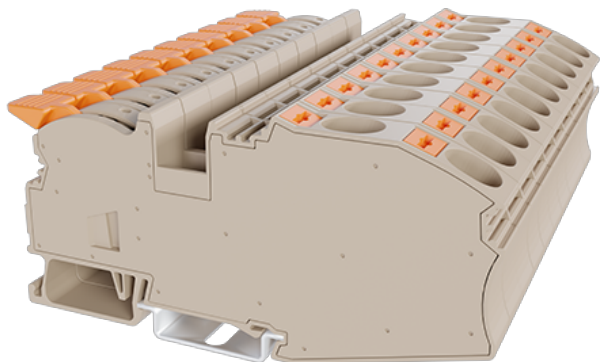


# DPH16-DP-TN

DIN

>

:2026-05-14



600V, 75A, Beige (default)

	Single Level Feed-through Terminal Block, Push-in Design
	Single Level Feed-through Terminal Block
	Refer to drawing
	Push-in Design
	Rail Mounting
(mm)	110
(mm)	12
(mm)	54.3 ( TS-35N ) /61.8 ( TS-35/15N )
( )	1P
	Single level
	3
	PA
	I
UL 94	V0
	500M at DC 500V

**-IEC**

(V)		1000
(A)		76
(III/3)(V)		1000
(III/3)(KV)		8
(mm <sup>2</sup> )		0.5
(mm <sup>2</sup> )		25
(mm <sup>2</sup> )		0.5
(mm <sup>2</sup> )		16
(mm <sup>2</sup> )	,	0.5
(mm <sup>2</sup> )	,	16
(mm <sup>2</sup> )	,	0.5
(mm <sup>2</sup> )	,	16
	<sup>2</sup> (mm <sup>2</sup> ) ,	1.5
	<sup>2</sup> (mm <sup>2</sup> ) ,	4
Width)(mm)	(Blade thickness x	1x5.5
		18~20
		TS-35N、TS-35/15N
		NO
		NO

**-UL**

(UL/CUL Group B)(V)		600
(UL/CUL Group B)(A)		75
(UL/CUL Group C)(V)		600
(UL/CUL Group C)(A)		75
(UL/CUL Group D)(V)		600
(UL/CUL Group D)(A)		5
UL/CUL	AWG	20
UL/CUL	AWG	4
UL/CUL	AWG	20



UL/CUL	AWG	4
<b>&amp;</b>		
	(YES or NO)	YES
가	(YES or NO)	YES
		120
		-40

**UL**

	(Group B)(AWG)	20~4
	(Group B)(V)	600
	(Group B)(A)	75
	(Group C)(AWG)	20~4
	(Group C)(V)	600
	(Group C)(A)	75
	(Group D)(AWG)	20~4
	(Group D)(V)	600
	(Group D)(A)	5

**CUL**

	(Group B)(AWG)	20~4
	(Group B)(V)	600
	(Group B)(A)	75
	(Group C)(AWG)	20~4
	(Group C)(V)	600
	(Group C)(A)	75
	(Group D)(AWG)	20~4
	(Group D)(V)	600
	(Group D)(A)	5

--	--	--

