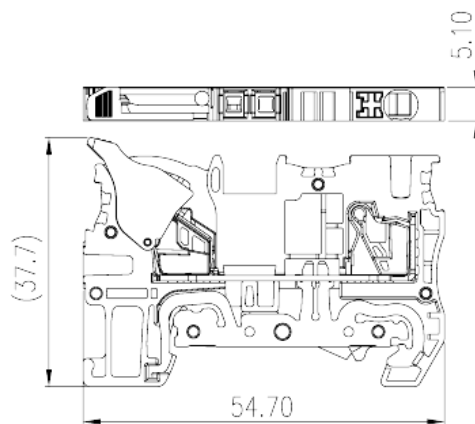
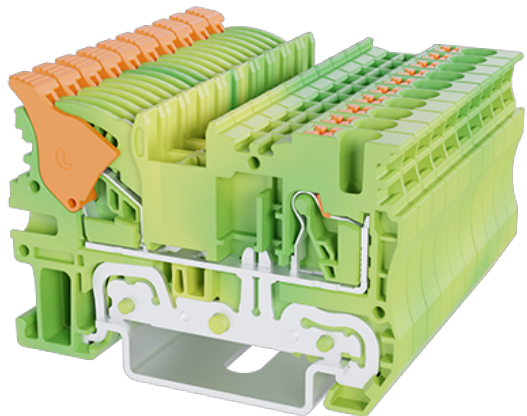


# DPH2.5-DP-PE

DIN

>

:2026-07-05



600V, Yellow-Green (default)

	Grounding Terminal Block, Push-in Design
	Grounding Terminal Block
	Refer to drawing
	Push-in Design
	Rail Mounting
(mm)	54.7
(mm)	5.1
(mm)	37.7 ( TS-35N ) /39.2 ( TS-35/15N )
( )	1P
	Single level
	2
	PA
	I
UL 94	V0
	500M at DC 500V

**-IEC**

(V)	800
(III/3)(V)	800
(III/3)(KV)	8
(mm <sup>2</sup> )	0.14
(mm <sup>2</sup> )	4
(mm <sup>2</sup> )	0.14
(mm <sup>2</sup> )	2.5
(mm <sup>2</sup> ) , ,	0.25
(mm <sup>2</sup> ) , ,	2.5
(mm <sup>2</sup> ) , ,	0.25
(mm <sup>2</sup> ) , ,	2.5
<sup>2</sup> (mm <sup>2</sup> ) , ,	0.5
<sup>2</sup> (mm <sup>2</sup> ) , ,	0.5
Width)(mm) (Blade thickness x	0.6x3.5
	10~11
	TS-35N、TS-35/15N
	YES
	YES

**-UL**

(UL/CUL Group B)(V)	600
(UL/CUL Group C)(V)	600
(UL/CUL Group D)(V)	600
UL/CUL AWG	26
UL/CUL AWG	12
UL/CUL AWG	26
UL/CUL AWG	12

**&**

(YES or NO)	YES
-------------	-----

가 (YES or NO)	YES
	120
	-40

### UL

(Group B)(AWG)	26~12
(Group B)(V)	600
(Group C)(AWG)	26~12
(Group C)(V)	600
(Group D)(AWG)	26~12
(Group D)(V)	600

### CUL

(Group B)(AWG)	26~12
(Group B)(V)	600
(Group C)(AWG)	26~12
(Group C)(V)	600
(Group D)(AWG)	26~12
(Group D)(V)	600

