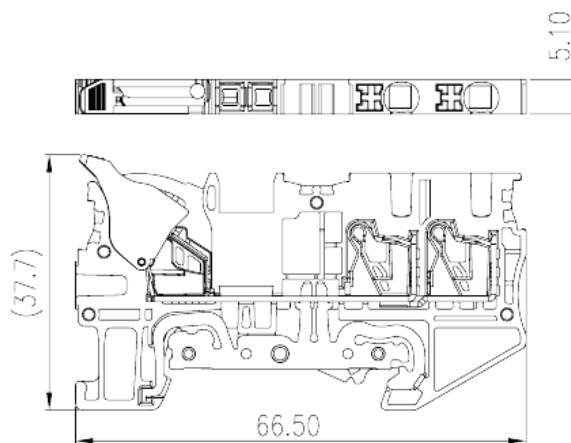
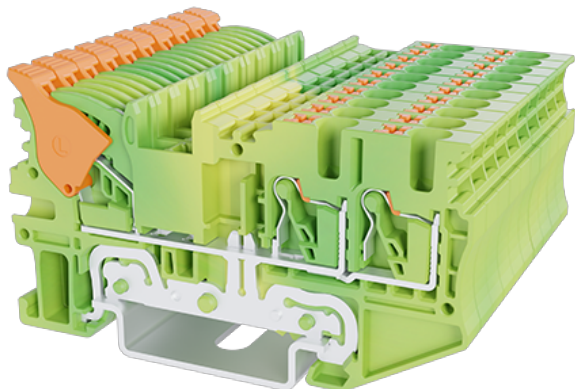


DPH2.5-DP-TN-PE

DIN

>

:2026-07-05



600V, Yellow-Green (default)

	Grounding Terminal Block, Push-in Design
	Grounding Terminal Block
	Refer to drawing
	Push-in Design
	Rail Mounting
(mm)	66.5
(mm)	5.1
(mm)	37.7 (TS-35N) /39.2 (TS-35/15N)
()	1P
	Single level
	3
	PA
	I
UL 94	V0



500M at DC 500V

-IEC

(V)	800
(III/3)(V)	800
(III/3)(KV)	8
(mm ²)	0.14
(mm ²)	4
(mm ²)	0.14
(mm ²)	2.5
(mm ²) , ,	0.25
(mm ²) , ,	2.5
(mm ²) , ,	0.25
(mm ²) , ,	2.5
² (mm ²) , ,	0.5
² (mm ²) , ,	0.5
Width)(mm) (Blade thickness x	0.6x3.5
	10~11
	TS-35N、TS-35/15N
	YES
	YES

-UL

(UL/CUL Group B)(V)	600
(UL/CUL Group C)(V)	600
(UL/CUL Group D)(V)	600
UL/CUL AWG	26
UL/CUL AWG	12
UL/CUL AWG	26
UL/CUL AWG	12

&

(YES or NO)	YES
가 (YES or NO)	YES
	120
	-40

UL

(Group B)(AWG)	26~12
(Group B)(V)	600
(Group C)(AWG)	26~12
(Group C)(V)	600
(Group D)(AWG)	26~12
(Group D)(V)	600

CUL

(Group B)(AWG)	26~12
(Group B)(V)	600
(Group C)(AWG)	26~12
(Group C)(V)	600
(Group D)(AWG)	26~12
(Group D)(V)	600

