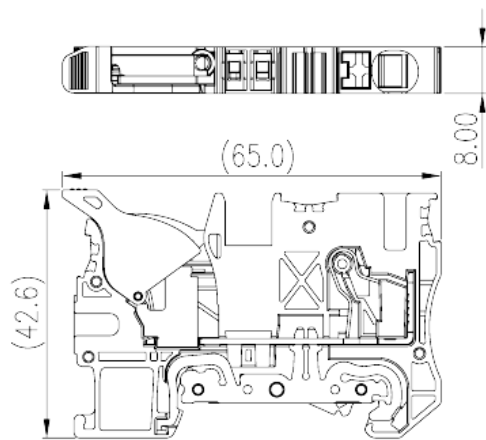
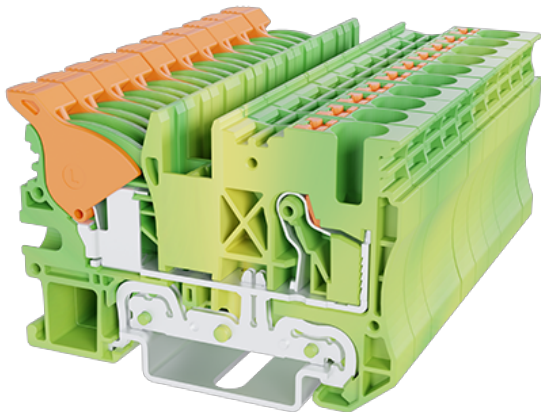


# DPH6-DP-PE

DIN

>

:2026-07-05



600V, Yellow-Green (default)

	Grounding Terminal Block, Push-in Design
	Grounding Terminal Block
	Refer to drawing
	Push-in Design
	Rail Mounting
(mm)	63
(mm)	8
(mm)	43.5 ( TS-35N ) /51 ( TS-35/15N )
( )	1P
	Single level
	2
	PA
	I
UL 94	V0
	500M at DC 500V

**-IEC**

(V)	1000
(III/3)(V)	1000
(III/3)(KV)	8
(mm <sup>2</sup> )	0.5
(mm <sup>2</sup> )	10
(mm <sup>2</sup> )	0.5
(mm <sup>2</sup> )	6
(mm <sup>2</sup> ) , ,	0.5
(mm <sup>2</sup> ) , ,	6
(mm <sup>2</sup> ) , ,	0.5
(mm <sup>2</sup> ) , ,	6
<sup>2</sup> (mm <sup>2</sup> ) , ,	0.5
<sup>2</sup> (mm <sup>2</sup> ) , ,	1.5
Width)(mm) (Blade thickness x	0.8x4
	16~17
	TS-35N、TS-35/15N
	YES
	YES

**-UL**

(UL/CUL Group B)(V)	600
(UL/CUL Group C)(V)	600
(UL/CUL Group D)(V)	600
UL/CUL AWG	20
UL/CUL AWG	8
UL/CUL AWG	20
UL/CUL AWG	8

**&**

(YES or NO)	YES
-------------	-----

가	(YES or NO)	YES
		120
		-40

