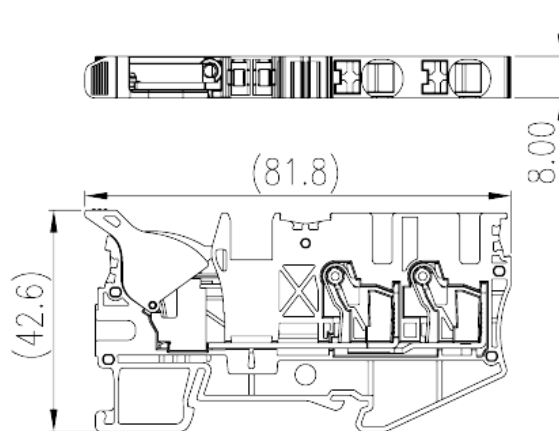
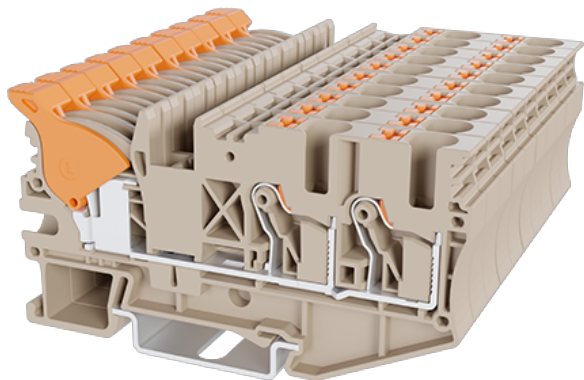


DPH6-DP-TN

DIN

>

:2026-07-05



600V, 40A, Beige (default)

	Single Level Feed-through Terminal Block, Push-in Design
	Single Level Feed-through Terminal Block
	Refer to drawing
	Push-in Design
	Rail Mounting
(mm)	79.8
(mm)	8
(mm)	43.5 (TS-35N) /51 (TS-35/15N)
()	1P
	Single level
	3
	PA
	I
UL 94	V0
	500M at DC 500V

-IEC

(V)	1000
(A)	41
(III/3)(V)	1000
(III/3)(KV)	8
(mm ²)	0.5
(mm ²)	10
(mm ²)	0.5
(mm ²)	6
(mm ²) , ,	0.5
(mm ²) , ,	6
(mm ²) , ,	0.5
(mm ²) , ,	6
² (mm ²) , ,	0.5
² (mm ²) , ,	1.5
Width)(mm) (Blade thickness x	0.8x4
	16~17
	TS-35N、TS-35/15N
	YES
	NO

-UL

(UL/CUL Group B)(V)	600
(UL/CUL Group B)(A)	40
(UL/CUL Group C)(V)	600
(UL/CUL Group C)(A)	40
(UL/CUL Group D)(V)	600
(UL/CUL Group D)(A)	5
UL/CUL AWG	20
UL/CUL AWG	8
UL/CUL AWG	20

UL/CUL	AWG	8
&		
(YES or NO)		YES
가 (YES or NO)		YES
		120
		-40

