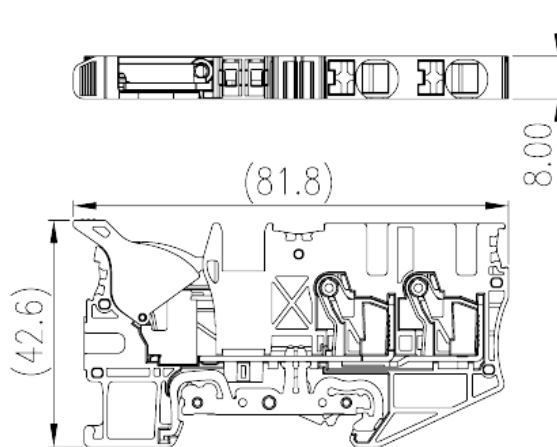
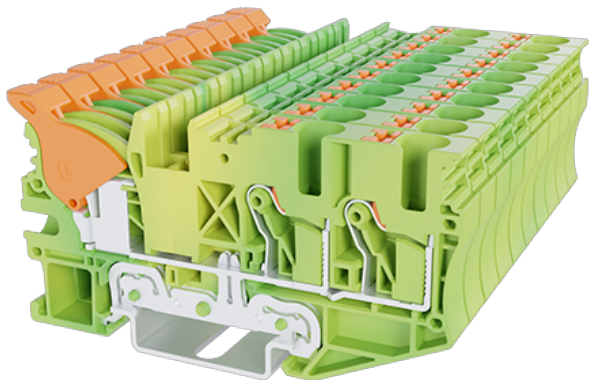


DPH6-DP-TN-PE

DIN

>

:2026-05-14



600V, Yellow-Green (default)

	Grounding Terminal Block, Push-in Design
	Grounding Terminal Block
	Refer to drawing
	Push-in Design
	Rail Mounting
(mm)	79.8
(mm)	8
(mm)	43.5 (TS-35N) /51 (TS-35/15N)
()	1P
	Single level
	3
	PA
	I
UL 94	V0
	500M at DC 500V

-IEC

(V)		1000
(III/3)(V)		1000
(III/3)(KV)		8
(mm ²)		0.5
(mm ²)		10
(mm ²)		0.5
(mm ²)		6
(mm ²)	,	0.5
(mm ²)	,	6
(mm ²)	,	0.5
(mm ²)	,	6
² (mm ²)	,	0.5
² (mm ²)	,	1.5
Width)(mm)	(Blade thickness x	0.8x4
		16~17
		TS-35N、TS-35/15N
		YES
		YES

-UL

(UL/CUL Group B)(V)		600
(UL/CUL Group C)(V)		600
(UL/CUL Group D)(V)		600
UL/CUL	AWG	20
UL/CUL	AWG	8
UL/CUL	AWG	20
UL/CUL	AWG	8

&

(YES or NO)		YES
-------------	--	-----

가 (YES or NO)	YES
	120
	-40

