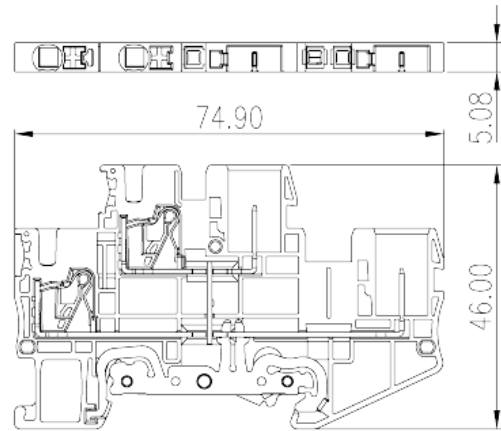
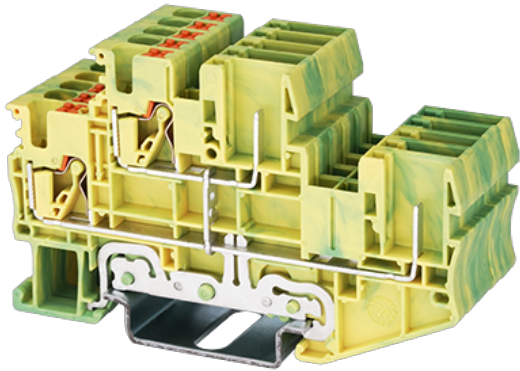


DPPE2.5-PE

DIN

>

:2026-07-05



300V, Yellow-Green (default)

	Grounding Terminal Block, Push-in Design
	Grounding Terminal Block
	Refer to drawing
	Push-in Design
(mm)	74.9
(mm)	5.08
(mm)	47.5(TS-35N), 55(TS-35/15N)
()	2P
	Double level
	2
	PA
	I
UL 94	V0
	500M at DC 500V

-IEC



(V)	500
(III/3)(V)	500
(III/3)(KV)	6
(mm ²)	0.2
(mm ²)	4
(mm ²)	0.2
(mm ²)	2.5
(mm ²) , ,	0.25
(mm ²) , ,	2.5
(mm ²) , ,	0.25
(mm ²) , ,	2.5
² (mm ²) , ,	0.5
² (mm ²) , ,	0.5
Width)(mm) (Blade thickness x	0.6x3.5
	10
	TS-35N、TS-35/15N
	YES
	YES

-UL

(UL/CUL Group B)(V)	300
(UL/CUL Group C)(V)	300
UL/CUL AWG	26
UL/CUL AWG	12
UL/CUL AWG	26
UL/CUL AWG	12

&

(YES or NO)	YES
가 (YES or NO)	YES
	120

-40

UL

(Group B) (AWG)	26~12
(Group B) (V)	300
(Group C) (AWG)	26~12
(Group C) (V)	300

CUL

(Group B) (AWG)	26~12
(Group B) (V)	300
(Group C) (AWG)	26~12
(Group C) (V)	300

