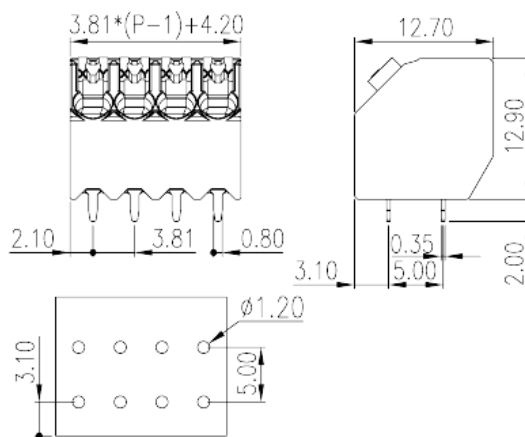


0138-42XXL20

PCB > PCB

:2026-07-05



Pitch :3.81mm, 300V, 12A

	PCB Terminal Blocks, Push-in Design
	PCB Terminal Blocks
(mm)	3.81
	Black (default)
	Push-in Design
	Without
	Reflow Soldering (245)
(mm)	$3.81 \times (P-1) + 4.2$
(mm)	12.7
(mm)	12.9
(x) (mm)	0.35x0.8
PCB (mm)	1.1~1.2
()	02~24P
	Single level
	2~24

HIGH-TEMPERATURE PLASTICS

: +886-2-8069-9000 / : service@dinkle.com

© DINKLE ENTERPRISE CO ,LTD. ALL RIGHT RESERVED



	IIIa
UL 94	V0
	500M at DC 500V
	COPPER ALLOY
	Tin PLATED

-IEC

(V)	160
(A)	17.5
(II/2)(V)	320
(III/2)(V)	160
(III/3)(V)	160
(II/2)(KV)	2.5
(III/2)(KV)	2.5
(III/3)(KV)	2.5
(mm ²)	0.2
(mm ²)	1.5
(mm ²)	0.2
(mm ²)	1.5
(mm ²) , ,	0.25
(mm ²) , ,	1
(mm ²) , ,	0.25
(mm ²) , ,	0.75
Width)(mm) (Blade thickness x	0.4x2.5
	8~9

-UL

(UL/CUL Group B)(V)	300
(UL/CUL Group B)(A)	12
(UL/CUL Group D)(V)	300
(UL/CUL Group D)(A)	10
UL/CUL AWG	28

UL/CUL	AWG	14
UL/CUL	AWG	28
UL/CUL	AWG	14

&

가	(YES or NO)	YES
		120
		-40

