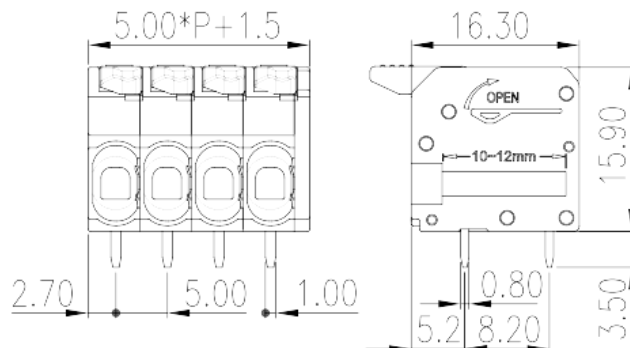
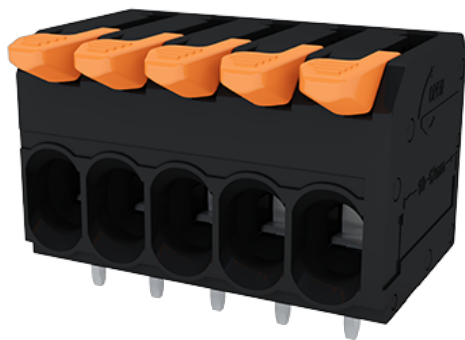


# 0290-21XX

PCB > PCB

:2026-07-05



Pitch :5.00mm, 300V, 20A

PCB Terminal Blocks, Push-in Design	
PCB Terminal Blocks	
(mm)	5
	Black (default)
	Push-in Design
	Without
	Wave Soldering
(mm)	$5.00 \times (P-1) + 6.5$
(mm)	20.3
(mm)	15.9
( ) x ( ) (mm)	0.8x1
PCB (mm)	1.3
( )	02P~12P
	Single level
	2~12
	PA

	I
UL 94	V0
	500M at DC 501V
	COPPER ALLOY
	Tin PLATED

### -IEC

(V)	400
(A)	32
(II/2)(V)	630
(III/2)(V)	400
(III/3)(V)	320
(II/2)(KV)	4
(III/2)(KV)	4
(III/3)(KV)	4
(mm <sup>2</sup> )	0.2
(mm <sup>2</sup> )	4
(mm <sup>2</sup> )	0.2
(mm <sup>2</sup> )	4
(mm <sup>2</sup> ) , ,	0.25
(mm <sup>2</sup> ) , ,	2.5
(mm <sup>2</sup> ) , ,	0.25
(mm <sup>2</sup> ) , ,	2.5
<sup>2</sup> (mm <sup>2</sup> ) , ,	0.5
<sup>2</sup> (mm <sup>2</sup> ) , ,	1.5
	10~12

### -UL

(UL/CUL Group B)(V)	300
(UL/CUL Group B)(A)	20
(UL/CUL Group D)(V)	300
(UL/CUL Group D)(A)	10



UL/CUL	AWG	24
UL/CUL	AWG	12
UL/CUL	AWG	24
UL/CUL	AWG	12

&

가	(YES or NO)	YES
		120
		-40

### UL

(Group B)(AWG)	24~12
(Group B)(V)	300
(Group B)(A)	20
(Group D)(AWG)	24~12
(Group D)(V)	300
(Group D)(A)	10

### CUL

(Group B)(AWG)	24~12
(Group B)(V)	300
(Group B)(A)	20
(Group D)(AWG)	24~12
(Group D)(V)	300
(Group D)(A)	10

--	--

