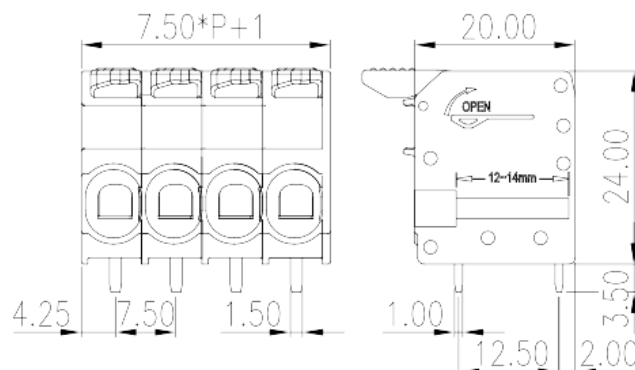
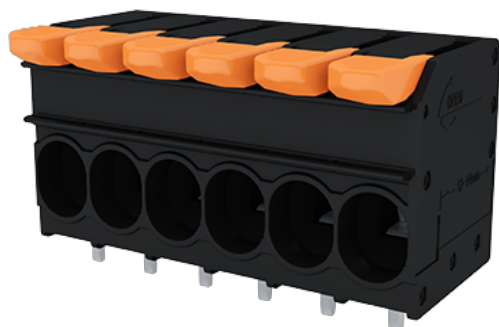


0290-31XX

PCB > PCB

:2026-07-05



Pitch :7.50mm, 400V, 40A

| | | PCB Terminal Blocks, Push-in Design |
|----------------|--|-------------------------------------|
| | | PCB Terminal Blocks |
| (mm) | | 7.5 |
| | | Black (default) |
| | | Push-in Design |
| | | Without |
| | | Wave Soldering |
| (mm) | | $7.50 \times (P-1) + 8.5$ |
| (mm) | | 20 |
| (mm) | | 24 |
| () x () (mm) | | 1x1.7 |
| PCB (mm) | | 3.5 |
| () | | 02P~12P |
| | | Single level |
| | | 2~12 |
| | | PA |



| | |
|-------|-----------------|
| | I |
| UL 94 | V0 |
| | 500M at DC 500V |
| | COPPER ALLOY |
| | Tin PLATED |

-IEC

| | |
|-------------------------------------|-------|
| (V) | 630 |
| (A) | 41 |
| (II/2)(V) | 1000 |
| (III/2)(V) | 630 |
| (III/3)(V) | 400 |
| (II/2)(KV) | 6 |
| (III/2)(KV) | 6 |
| (III/3)(KV) | 6 |
| (mm ²) | 0.2 |
| (mm ²) | 6 |
| (mm ²) | 0.2 |
| (mm ²) | 6 |
| (mm ²) , , | 0.25 |
| (mm ²) , , | 6 |
| (mm ²) , , | 0.25 |
| (mm ²) , , | 6 |
| ² (mm ²) , , | 0.5 |
| ² (mm ²) , , | 2.5 |
| | 12~14 |

-UL

| | |
|---------------------|-----|
| (UL/CUL Group B)(V) | 300 |
| (UL/CUL Group B)(A) | 40 |
| (UL/CUL Group C)(V) | 150 |
| (UL/CUL Group C)(A) | 40 |



| | | |
|---------------------|-----|-----|
| (UL/CUL Group D)(V) | | 600 |
| (UL/CUL Group D)(A) | | 5 |
| UL/CUL | AWG | 24 |
| UL/CUL | AWG | 8 |
| UL/CUL | AWG | 24 |
| UL/CUL | AWG | 8 |

&

| | | |
|---|-------------|-----|
| 가 | (YES or NO) | YES |
| | | 120 |
| | | -40 |

UL

| | | |
|----------------|--|------|
| (Group B)(AWG) | | 24~8 |
| (Group B)(V) | | 300 |
| (Group B)(A) | | 40 |
| (Group C)(AWG) | | 24~8 |
| (Group C)(V) | | 150 |
| (Group C)(A) | | 40 |
| (Group D)(AWG) | | 24~8 |
| (Group D)(V) | | 600 |
| (Group D)(A) | | 5 |

CUL

| | | |
|----------------|--|------|
| (Group B)(AWG) | | 24~8 |
| (Group B)(V) | | 300 |
| (Group B)(A) | | 40 |
| (Group C)(AWG) | | 24~8 |
| (Group C)(V) | | 150 |
| (Group C)(A) | | 40 |
| (Group D)(AWG) | | 24~8 |
| (Group D)(V) | | 600 |
| (Group D)(A) | | 5 |

