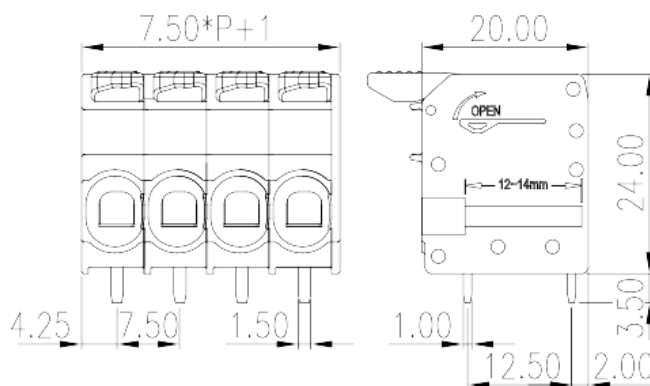
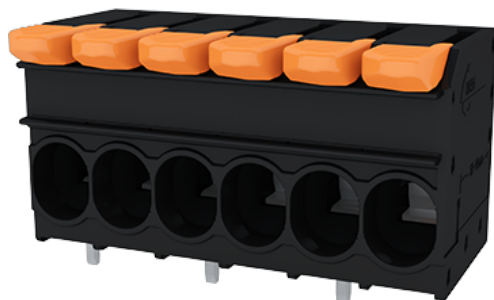


0290-32XX

PCB > PCB

:2026-05-14



Pitch :7.50mm, 1000V, 40A

		PCB Terminal Blocks, Push-in Design
		PCB Terminal Blocks
(mm)		7.5
		Black (default)
		Push-in Design
		Without
		Wave Soldering
(mm)		$7.50 * (P - 1) + 8.5$
(mm)		20
(mm)		24
() x () (mm)		1x1.7
PCB (mm)		2
()		02P~12P
		Single level
		2~12
		PA



	I
UL 94	V0
	500M at DC 500V
	COPPER ALLOY
	Tin PLATED

-IEC

(V)	1000
(A)	41
(II/2)(V)	1000
(III/2)(V)	1000
(III/3)(V)	1000
(II/2)(KV)	8
(III/2)(KV)	8
(III/3)(KV)	8
(mm ²)	0.2
(mm ²)	6
(mm ²)	0.2
(mm ²)	6
(mm ²) , ,	0.25
(mm ²) , ,	6
(mm ²) , ,	0.25
(mm ²) , ,	6
² (mm ²) , ,	0.5
² (mm ²) , ,	2.5
	12~14

-UL

(UL/CUL Group B)(V)	600
(UL/CUL Group B)(A)	40
(UL/CUL Group C)(V)	600
(UL/CUL Group C)(A)	40



(UL/CUL Group D)(V)		600
(UL/CUL Group D)(A)		5
UL/CUL	AWG	24
UL/CUL	AWG	8
UL/CUL	AWG	24
UL/CUL	AWG	8

&

가	(YES or NO)	YES
		120
		-40

UL

(Group B)(AWG)		24~8
(Group B)(V)		600
(Group B)(A)		40
(Group C)(AWG)		24~8
(Group C)(V)		600
(Group C)(A)		40
(Group D)(AWG)		24~8
(Group D)(V)		600
(Group D)(A)		5

CUL

(Group B)(AWG)		24~8
(Group B)(V)		600
(Group B)(A)		40
(Group C)(AWG)		24~8
(Group C)(V)		600
(Group C)(A)		40
(Group D)(AWG)		24~8
(Group D)(V)		600
(Group D)(A)		5

