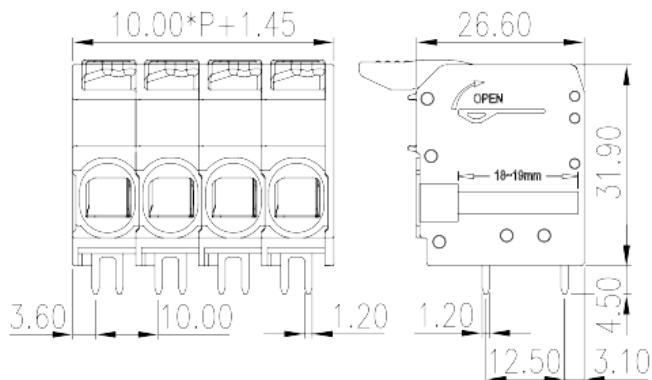
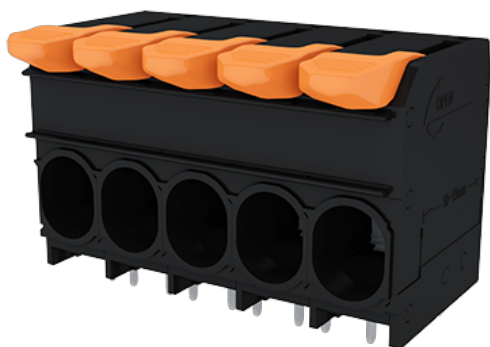


0290-41XX

PCB > PCB

:2026-05-14



Pitch :10.00mm, 400V, 66A

| PCB Terminal Blocks, Push-in Design | |
|-------------------------------------|------------------------------|
| PCB Terminal Blocks | |
| (mm) | 10 |
| | Black (default) |
| | Push-in Design |
| | Without |
| | Wave Soldering |
| (mm) | $10.00 \times (P-1) + 11.45$ |
| (mm) | 26.6 |
| (mm) | 31.9 |
| () x () (mm) | 1.2x1.2 |
| PCB (mm) | 1.6 |
| () | 02P~12P |
| | Single level |
| | 2~12 |
| | PA |



| | |
|-------|-----------------|
| | I |
| UL 94 | V0 |
| | 500M at DC 500V |
| | COPPER ALLOY |
| | Tin PLATED |

-IEC

| | |
|--|-------|
| (V) | 400 |
| (A) | 76 |
| (II/2)(V) | 800 |
| (III/2)(V) | 400 |
| (III/3)(V) | 400 |
| (II/2)(KV) | 4 |
| (III/2)(KV) | 4 |
| (III/3)(KV) | 4 |
| (mm ²) | 0.75 |
| (mm ²) | 16 |
| (mm ²) | 0.75 |
| (mm ²) | 16 |
| (mm ²) , , | 0.75 |
| (mm ²) , , | 16 |
| (mm ²) , , | 0.75 |
| (mm ²) , , | 10 |
| ² (mm ²) , , | 0.75 |
| ² (mm ²) , , | 6 |
| | 18~19 |

-UL

| | |
|---------------------|-----|
| (UL/CUL Group B)(V) | 300 |
| (UL/CUL Group B)(A) | 66 |
| (UL/CUL Group C)(V) | 150 |
| (UL/CUL Group C)(A) | 66 |



| | | |
|---------------------|-----|-----|
| (UL/CUL Group D)(V) | | 600 |
| (UL/CUL Group D)(A) | | 5 |
| UL/CUL | AWG | 18 |
| UL/CUL | AWG | 4 |
| UL/CUL | AWG | 18 |
| UL/CUL | AWG | 4 |

&

| | | |
|---|-------------|-----|
| 가 | (YES or NO) | YES |
| | | 120 |
| | | -40 |

UL

| | | |
|----------------|--|------|
| (Group B)(AWG) | | 18~4 |
| (Group B)(V) | | 300 |
| (Group B)(A) | | 66 |
| (Group C)(AWG) | | 18~4 |
| (Group C)(V) | | 150 |
| (Group C)(A) | | 66 |
| (Group D)(AWG) | | 18~4 |
| (Group D)(V) | | 600 |
| (Group D)(A) | | 5 |

CUL

| | | |
|----------------|--|------|
| (Group B)(AWG) | | 18~4 |
| (Group B)(V) | | 300 |
| (Group B)(A) | | 66 |
| (Group C)(AWG) | | 18~4 |
| (Group C)(V) | | 150 |
| (Group C)(A) | | 66 |
| (Group D)(AWG) | | 18~4 |
| (Group D)(V) | | 600 |
| (Group D)(A) | | 5 |

