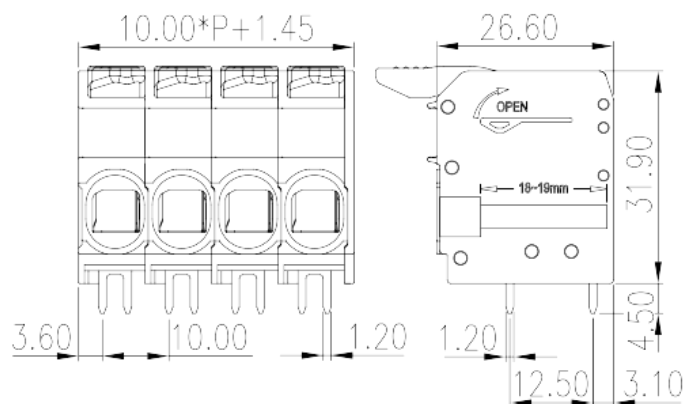
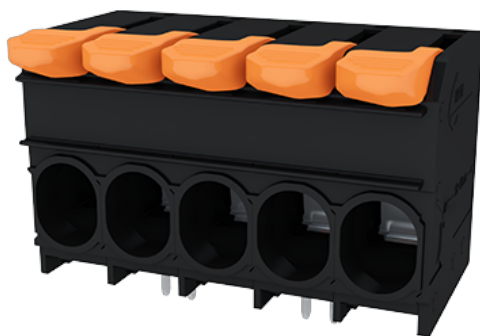


0290-42XX

PCB > PCB

:2026-05-14



Pitch :10.00mm, 1000V, 66A

PCB Terminal Blocks, Push-in Design	
PCB Terminal Blocks	
(mm)	10
	Black (default)
	Push-in Design
	Without
	Wave Soldering
(mm)	$10.00 * (P-1) + 11.45$
(mm)	26.6
(mm)	31.9
(x) (mm)	1.2x1.2
PCB (mm)	1.7~1.9
()	02P~12P
	Single level
	2~12
	PA



	I
UL 94	V0
	500M at DC 500V
	COPPER ALLOY
	Tin PLATED

-IEC

(V)	1000
(A)	76
(II/2)(V)	1000
(III/2)(V)	1000
(III/3)(V)	1000
(II/2)(KV)	8
(III/2)(KV)	8
(III/3)(KV)	8
(mm ²)	0.75
(mm ²)	16
(mm ²)	0.75
(mm ²)	16
(mm ²) , ,	0.75
(mm ²) , ,	16
(mm ²) , ,	0.75
(mm ²) , ,	10
² (mm ²) , ,	0.75
² (mm ²) , ,	6
	18~19

-UL

(UL/CUL Group B)(V)	600
(UL/CUL Group B)(A)	66
(UL/CUL Group C)(V)	600
(UL/CUL Group C)(A)	66



(UL/CUL Group D)(V)		600
(UL/CUL Group D)(A)		5
UL/CUL	AWG	18
UL/CUL	AWG	4
UL/CUL	AWG	18
UL/CUL	AWG	4

&

가	(YES or NO)	YES
		120
		-40

UL

(Group B)(AWG)		18~4
(Group B)(V)		600
(Group B)(A)		66
(Group C)(AWG)		18~4
(Group C)(V)		600
(Group C)(A)		66
(Group D)(AWG)		18~4
(Group D)(V)		600
(Group D)(A)		5

CUL

(Group B)(AWG)		18~4
(Group B)(V)		600
(Group B)(A)		66
(Group C)(AWG)		18~4
(Group C)(V)		600
(Group C)(A)		66
(Group D)(AWG)		18~4
(Group D)(V)		600
(Group D)(A)		5

