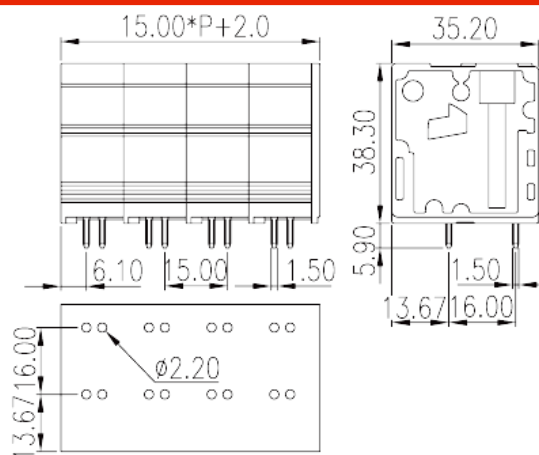


# 0177-B3XX

PCB > PCB

:2026-07-05



Pitch :15.00mm, 600V, 101A

		PCB Terminal Blocks, Push-in Design
		PCB Terminal Blocks
(mm)		15
		Black (default)
		Push-in Design
		Without
		Wave Soldering
(mm)		$15.00 \times (P-1) + 17$
(mm)		35.2
(mm)		38.3
( ) x ( ) (mm)		1.5x1.5
PCB (mm)		2.2
( )		02P~06P
		Single level
		2~6
		PA



	I
UL 94	V0
	500M at DC 500V
	COPPER ALLOY
	Tin PLATED

**-IEC**

(V)	1000
(A)	125
(II/2)(V)	1000
(III/2)(V)	1000
(III/3)(V)	1000
(II/2)(KV)	8
(III/2)(KV)	8
(III/3)(KV)	8
(mm <sup>2</sup> )	4
(mm <sup>2</sup> )	35
(mm <sup>2</sup> )	4
(mm <sup>2</sup> )	35
(mm <sup>2</sup> ) , ,	4
(mm <sup>2</sup> ) , ,	35
(mm <sup>2</sup> ) , ,	4
(mm <sup>2</sup> ) , ,	35
<sup>2</sup> (mm <sup>2</sup> ) , ,	4
<sup>2</sup> (mm <sup>2</sup> ) , ,	16
Width)(mm) (Blade thickness x	0.6x3.5
	23~25

**-UL**

(UL/CUL Group B)(V)	600
(UL/CUL Group B)(A)	101



(UL/CUL Group C)(V)		600
(UL/CUL Group C)(A)		101
UL/CUL	AWG	14
UL/CUL	AWG	2
UL/CUL	AWG	14
UL/CUL	AWG	2

&

가	(YES or NO)	YES
		120
		-40

### UL

(Group B)(AWG)		14~2
(Group B)(V)		600
(Group B)(A)		101
(Group C)(AWG)		14~2
(Group C)(V)		600
(Group C)(A)		101

### CUL

(Group B)(AWG)		14~2
(Group B)(V)		600
(Group B)(A)		101
(Group C)(AWG)		14~2
(Group C)(V)		600
(Group C)(A)		101

--	--	--

