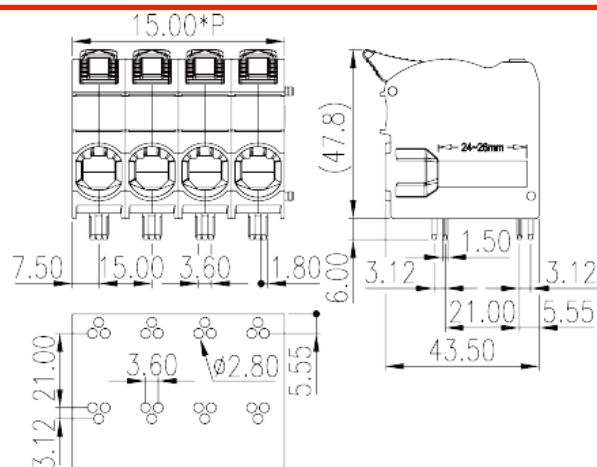


0290-51XX

PCB > PCB

:2026-07-05



Pitch :15.00mm, 1000V, 101A

PCB Terminal Blocks, Push-in Design	
PCB Terminal Blocks	
(mm)	15
	Black (default)
	Push-in Design
	Without
	Wave Soldering
(mm)	15.00*P+2.5
(mm)	49.8
(mm)	47.8
(x) (mm)	1.5x1.8
PCB (mm)	2.8
()	01~06P
	Single level
	1~6
	PA



	I
UL 94	V0
	500M at DC 500V
	COPPER ALLOY
	Tin PLATED

-IEC

(V)	1000
(A)	125
(II/2)(V)	1000
(III/2)(V)	1000
(III/3)(V)	1000
(II/2)(KV)	8
(III/2)(KV)	8
(III/3)(KV)	8
(mm ²)	2.5
(mm ²)	35
(mm ²)	2.5
(mm ²)	25
(mm ²) , ,	2.5
(mm ²) , ,	35
(mm ²) , ,	2.5
(mm ²) , ,	35
Width)(mm) (Blade thickness x	1x5.5
	24~26

-UL

(UL/CUL Group B)(V)	600
(UL/CUL Group B)(A)	101
(UL/CUL Group C)(V)	600
(UL/CUL Group C)(A)	101
(UL/CUL Group D)(V)	600



(UL/CUL Group D)(A)		5
UL/CUL	AWG	14
UL/CUL	AWG	2
UL/CUL	AWG	14
UL/CUL	AWG	2

&

가	(YES or NO)	YES
		120
		-40

UL

(Group B)(AWG)		14~2
(Group B)(V)		600
(Group B)(A)		101
(Group C)(AWG)		14~2
(Group C)(V)		600
(Group C)(A)		101
(Group D)(AWG)		14~2
(Group D)(V)		600
(Group D)(A)		5

CUL

(Group B)(AWG)		14~2
(Group B)(V)		600
(Group B)(A)		101
(Group C)(AWG)		14~2
(Group C)(V)		600
(Group C)(A)		101
(Group D)(AWG)		14~2
(Group D)(V)		600
(Group D)(A)		5

