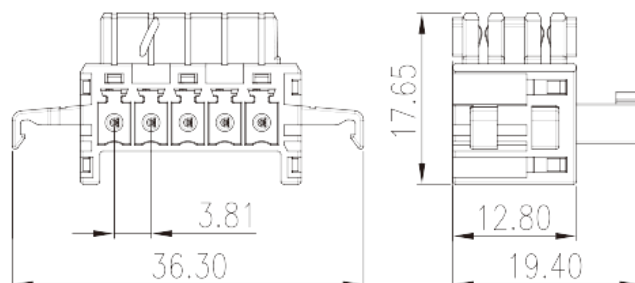
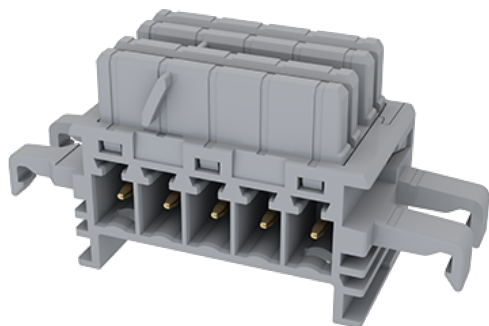


# BST-120-05

PCB > PCB

:2026-07-05



Pitch :3.81mm, 150V AC/DC, 8A

	Rail Connector
	Rail connector
(mm)	3.81
	Grey (default)
	With lock flange
(mm)	36.3
(mm)	19.4
(mm)	17.65
( )	05P
	Double level
	10
	PA
	I
UL 94	V0
	500M at DC 500V
	COPPER ALLOY



Au PLATED

**-IEC**

(V)	320
(A)	12
(II/2)(V)	320
(III/2)(V)	160
(III/3)(V)	160
(II/2)(KV)	2.5
(III/2)(KV)	2.5
(III/3)(KV)	2.5

**-UL**

(UL/CUL Group B)(V)	150
(UL/CUL Group B)(A)	8

**&**

가 (YES or NO)	YES
	120
	-40

**UL**

(Group B)(V)	150
(Group B)(A)	8

**CUL**

(Group B)(V)	150
(Group B)(A)	5

