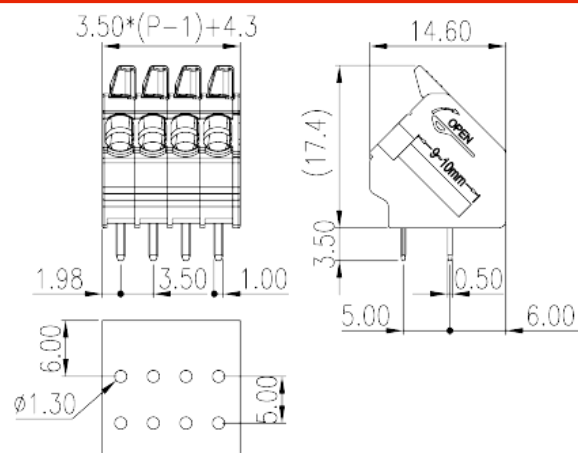


0275-11XX

PCB > PCB

:2026-07-05



Pitch :3.50mm, 300V, 10A

	PCB Terminal Blocks, Push-in Design
	PCB Terminal Blocks
(mm)	3.5
	Black (default)
	Push-in Design
	Without
	Wave Soldering
(mm)	$3.50 \times (P-1) + 4.3$
(mm)	14.6
(mm)	17.4
(x) (mm)	0.5x1
PCB (mm)	1.3
()	02P~24P
	Single level
	2~24
	PA



	I
UL 94	V0
	500M at DC 500V
	COPPER ALLOY
	Tin PLATED

-IEC

(V)	160
(A)	17.5
(II/2)(V)	320
(III/2)(V)	160
(III/3)(V)	160
(II/2)(KV)	2.5
(III/2)(KV)	2.5
(III/3)(KV)	2.5
(mm ²)	0.2
(mm ²)	1.5
(mm ²)	0.2
(mm ²)	1.5
(mm ²) , ,	0.25
(mm ²) , ,	1.5
(mm ²) , ,	0.25
(mm ²) , ,	0.75
² (mm ²) , ,	0.5
² (mm ²) , ,	0.5
	9~10

-UL

(UL/CUL Group B)(V)	300
(UL/CUL Group B)(A)	10
(UL/CUL Group D)(V)	300
(UL/CUL Group D)(A)	10



UL/CUL	AWG	28
UL/CUL	AWG	16
UL/CUL	AWG	28
UL/CUL	AWG	16

&

가	(YES or NO)	YES
		120
		-40

UL

(Group B)(AWG)		28~16
(Group B)(V)		300
(Group B)(A)		10
(Group D)(AWG)		28~16
(Group D)(V)		300
(Group D)(A)		10

CUL

(Group B)(AWG)		28~16
(Group B)(V)		300
(Group B)(A)		10
(Group D)(AWG)		28~16
(Group D)(V)		300
(Group D)(A)		10

--	--	--

