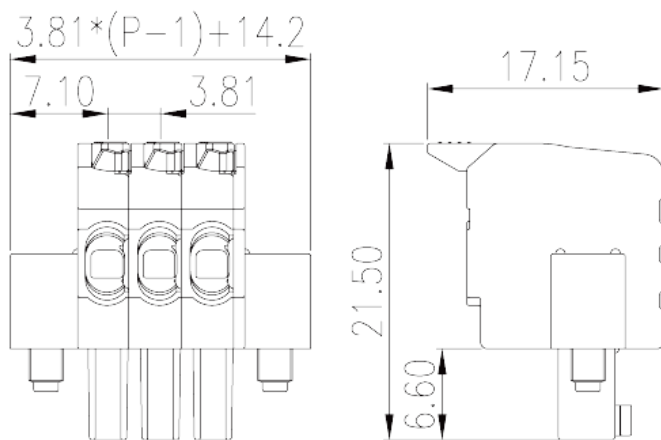
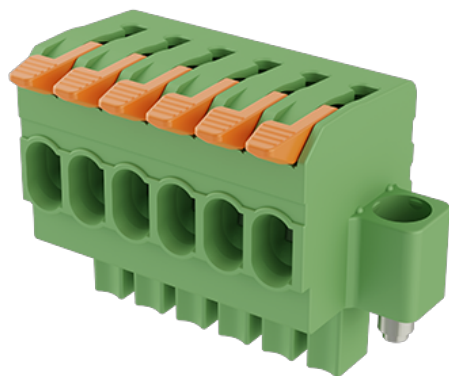


# 0256-82XX

PCB > PCB -

:2026-07-06



Pitch :3.81mm, 300V, 8A

	PCB Connector-Plug, Push-in Design
	PCB Connector – Plug
(mm)	3.81
	Green (default)
	Push-in Design
	With screw flange
(mm)	$3.81 \times (P-1) + 14.2$
(mm)	17.15
(mm)	21.5
( )	02P~24P
	Single level
	02~24
	PA
	I
UL 94	V0
	500M at DC 500V

	COPPER ALLOY
	Tin PLATED
<b>-IEC</b>	
(V)	320
(A)	10
(II/2)(V)	320
(III/2)(V)	160
(III/3)(V)	160
(II/2)(KV)	2.5
(III/2)(KV)	2.5
(III/3)(KV)	2.5
(mm <sup>2</sup> )	0.14
(mm <sup>2</sup> )	1.5
(mm <sup>2</sup> )	0.14
(mm <sup>2</sup> )	1.5
(mm <sup>2</sup> ) , ,	0.25
(mm <sup>2</sup> ) , ,	1.5
(mm <sup>2</sup> ) , ,	0.25
(mm <sup>2</sup> ) , ,	0.75
2 (mm <sup>2</sup> ) , ,	0.5
2 (mm <sup>2</sup> ) , ,	0.5
(N.m)	0.3
	9~10
<b>-UL</b>	
(UL/CUL Group B)(V)	300
(UL/CUL Group B)(A)	8
(UL/CUL Group C)(V)	150
(UL/CUL Group C)(A)	8
(UL/CUL Group D)(V)	300
(UL/CUL Group D)(A)	8

UL/CUL	AWG	28
UL/CUL	AWG	16
UL/CUL	AWG	28
UL/CUL	AWG	16

&

가 (YES or NO)	YES
	120
	-40

