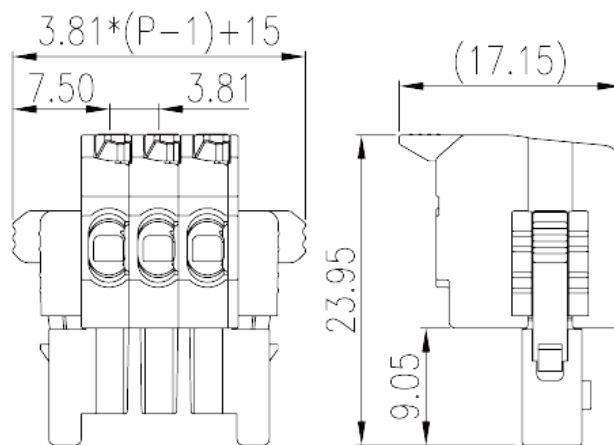


0256-83XX

PCB > PCB -

:2026-07-06



Pitch :3.81mm, 300V, 8A

| | |
|-------|------------------------------------|
| | PCB Connector-Plug, Push-in Design |
| | PCB Connector – Plug |
| (mm) | 3.81 |
| | Green (default) |
| | Push-in Design |
| | With lock flange |
| (mm) | $3.81 * (P-1) + 15$ |
| (mm) | 17.15 |
| (mm) | 23.95 |
| () | 02P~24P |
| | Single level |
| | PA |
| | I |
| UL 94 | V0 |
| | 500M at DC 500V |
| | COPPER ALLOY |

Tin PLATED

-IEC

| | |
|-----------------------------|------|
| (V) | 320 |
| (A) | 10 |
| (II/2)(V) | 320 |
| (III/2)(V) | 160 |
| (III/3)(V) | 160 |
| (II/2)(KV) | 2.5 |
| (III/2)(KV) | 2.5 |
| (III/3)(KV) | 2.5 |
| (mm ²) | 0.14 |
| (mm ²) | 1.5 |
| (mm ²) | 0.14 |
| (mm ²) | 1.5 |
| (mm ²) , , | 0.25 |
| (mm ²) , , | 1.5 |
| (mm ²) , , | 0.25 |
| (mm ²) , , | 0.75 |
| 2 (mm ²) , , | 0.5 |
| 2 (mm ²) , , | 0.5 |
| | 9~10 |

-UL

| | |
|---------------------|-----|
| (UL/CUL Group B)(V) | 300 |
| (UL/CUL Group B)(A) | 8 |
| (UL/CUL Group C)(V) | 150 |
| (UL/CUL Group C)(A) | 8 |
| (UL/CUL Group D)(V) | 300 |
| (UL/CUL Group D)(A) | 8 |
| UL/CUL AWG | 28 |
| UL/CUL AWG | 16 |

| | | |
|--------|-----|----|
| UL/CUL | AWG | 28 |
| UL/CUL | AWG | 16 |

&

| | | |
|---|-------------|-----|
| 가 | (YES or NO) | YES |
| | | 120 |
| | | -40 |

