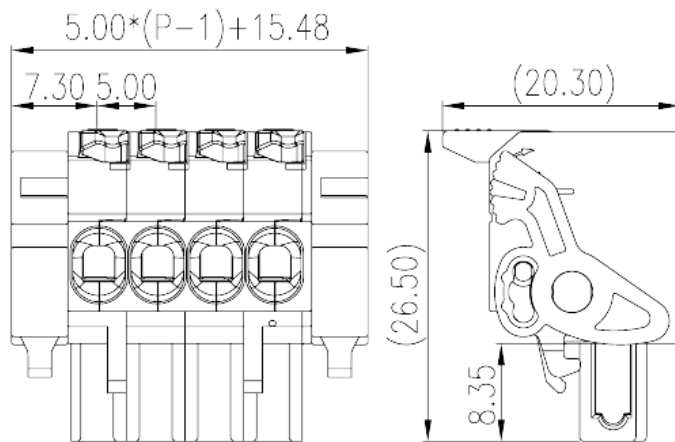
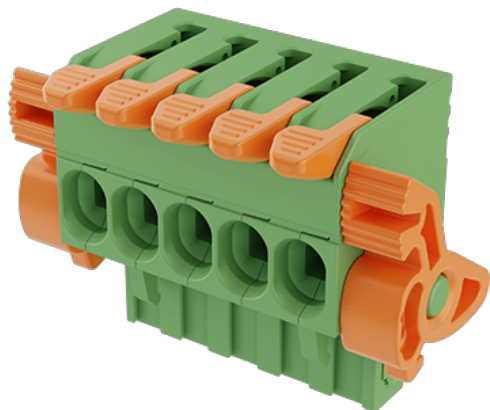


0257-24XX

PCB > PCB -

:2026-07-06



Pitch :5.00mm, 300V, 15A

	PCB Connector-Plug, Push-in Design
	PCB Connector – Plug
(mm)	5
	Green (default)
	Push-in Design
	With release tool
(mm)	$5.00 * (P - 1) + 15.4$
(mm)	20.3
(mm)	26.5
()	02P~24P
	Single level
	02~24
	PA
	I
UL 94	V0
	500M at DC 500V



		COPPER ALLOY
		Tin PLATED
-IEC		
(V)		630
(A)		18
(II/2)(V)		630
(III/2)(V)		320
(III/3)(V)		320
(II/2)(KV)		4
(III/2)(KV)		4
(III/3)(KV)		4
(mm ²)		0.2
(mm ²)		2.5
(mm ²)		0.2
(mm ²)		2.5
(mm ²)	,	0.25
(mm ²)	,	2.5
(mm ²)	,	0.25
(mm ²)	,	2.5
(mm ²) ²	,	0.5
(mm ²) ²	,	1.5
		10~12
-UL		
(UL/CUL Group B)(V)		300
(UL/CUL Group B)(A)		15
(UL/CUL Group D)(V)		300
(UL/CUL Group D)(A)		10
UL/CUL	AWG	26
UL/CUL	AWG	12
UL/CUL	AWG	26

UL/CUL	AWG	12
&		
가	(YES or NO)	YES
		120
		-40

