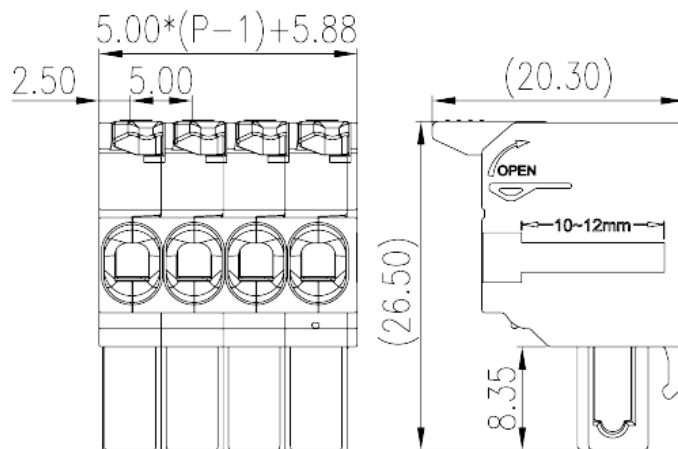
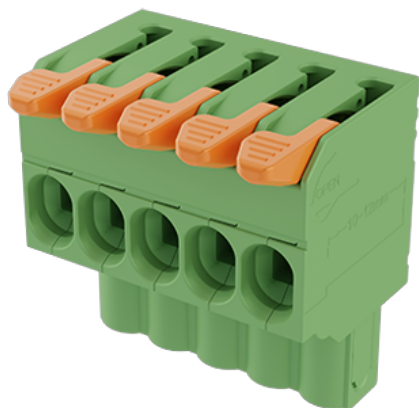


0257-31XX

PCB > PCB -

:2026-07-06



Pitch :5.00mm, 300V, 15A

	PCB Connector-Plug, Push-in Design
	PCB Connector – Plug
(mm)	5
	Push-in Design
	Without
(mm)	$5.00 \times (P-1) + 5.8$
(mm)	20.3
(mm)	26.5
()	02P~24P
	Single level
	02~24
	PA
	I
UL 94	V0
	500M at DC 500V
	COPPER ALLOY

Tin PLATED

-IEC

(V)	630
(A)	18
(II/2)(V)	630
(III/2)(V)	320
(III/3)(V)	320
(II/2)(KV)	4
(III/2)(KV)	4
(III/3)(KV)	4
(mm ²)	0.2
(mm ²)	2.5
(mm ²)	0.2
(mm ²)	2.5
(mm ²) , ,	0.25
(mm ²) , ,	2.5
(mm ²) , ,	0.25
(mm ²) , ,	2.5
² (mm ²) , ,	0.5
² (mm ²) , ,	1.5
	10~12

-UL

(UL/CUL Group B)(V)	300
(UL/CUL Group B)(A)	15
(UL/CUL Group D)(V)	300
(UL/CUL Group D)(A)	10
UL/CUL AWG	26
UL/CUL AWG	12
UL/CUL AWG	26
UL/CUL AWG	12

&

가	(YES or NO)	YES
		120
		-40

