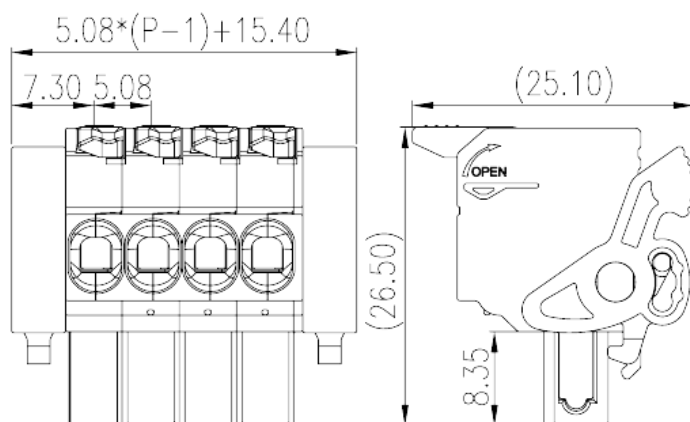
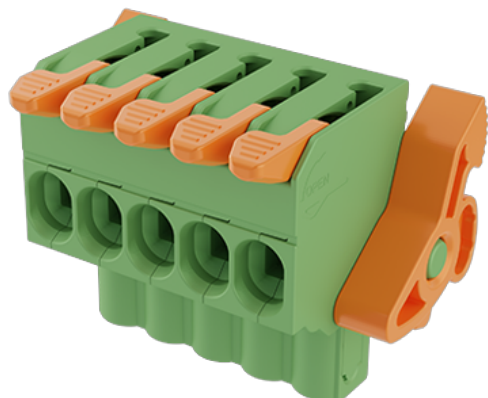


# 0257-84XX

PCB > PCB -

:2026-07-06



Pitch :5.08mm, 300V, 15A

	PCB Connector-Plug, Push-in Design
	PCB Connector – Plug
(mm)	5.08
	Green (default)
	Push-in Design
	With release tool
(mm)	$5.08 * (P - 1) + 15.4$
(mm)	25.1
(mm)	26.5
( )	02P~24P
	Single level
	02~24
	PA
	I
UL 94	V0
	500M at DC 500V



		COPPER ALLOY
		Tin PLATED
<b>-IEC</b>		
(V)		630
(A)		18
(II/2)(V)		630
(III/2)(V)		320
(III/3)(V)		320
(II/2)(KV)		4
(III/2)(KV)		4
(III/3)(KV)		4
(mm <sup>2</sup> )		0.2
(mm <sup>2</sup> )		2.5
(mm <sup>2</sup> )		0.2
(mm <sup>2</sup> )		2.5
(mm <sup>2</sup> )	,	0.25
(mm <sup>2</sup> )	,	2.5
(mm <sup>2</sup> )	,	0.25
(mm <sup>2</sup> )	,	2.5
(mm <sup>2</sup> ) <sup>2</sup>	,	0.5
(mm <sup>2</sup> ) <sup>2</sup>	,	1.5
		10~12
<b>-UL</b>		
(UL/CUL Group B)(V)		300
(UL/CUL Group B)(A)		15
(UL/CUL Group D)(V)		300
(UL/CUL Group D)(A)		10
UL/CUL	AWG	26
UL/CUL	AWG	12
UL/CUL	AWG	26

UL/CUL	AWG	12
&		
가	(YES or NO)	YES
		120
		-40

