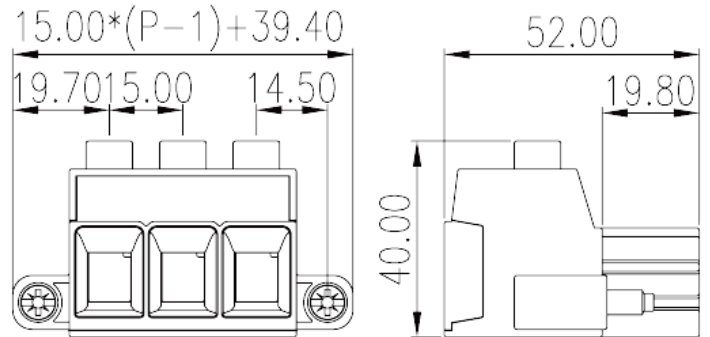
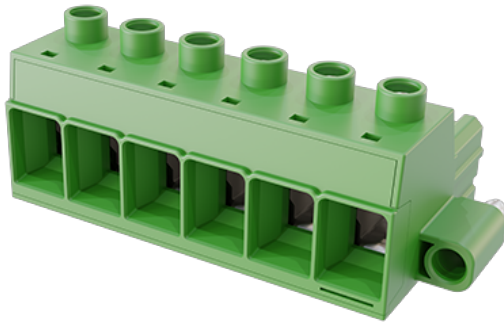


EC150VM-XXP

PCB > PCB -

:2026-07-06



Pitch :15.00mm, M5, 1000V, 115A

	PCB Connector-Plug, Screw Connection
	PCB Connector – Plug
(mm)	15
	Green (default)
	Screw Connection
	With screw flange
(mm)	$15.00 * (P-1) + 39.4$
(mm)	52
(mm)	40
()	02P~08P
	Single level
	2~8
	PA
	I
UL 94	V0
	500M at DC 500V



		HIGH PERFORMANCE COPPER ALLOY
		Tin PLATED
-IEC		
(V)		1000
(A)		125
(II/2)(V)		1000
(III/2)(V)		1000
(III/3)(V)		1000
(II/2)(KV)		8
(III/2)(KV)		8
(III/3)(KV)		8
(mm ²)		0.5
(mm ²)		35
(mm ²)		0.5
(mm ²)		35
(mm ²)	' ,	1
(mm ²)	' ,	35
(mm ²)	' ,	1.5
(mm ²)	' ,	35
2	(mm ²)	0.5
2	(mm ²)	6
2	(mm ²)	0.5
2	(mm ²)	6
(mm ²)	2 ' ,	0.5
(mm ²)	2 ' ,	6
(mm ²)	2 ' ,	0.5
(mm ²)	2 ' ,	6
		M5
Width)(mm)	(Blade thickness x	1.2x6.5



Philips	PH2
(N.m)	2.5 (0.5~25mm ² /AWG 20~4) 4 (35mm ² /AWG 3~2)
(N.m)	0.6
	19~20

-UL

(UL/CUL Group B)(V)	600
(UL/CUL Group B)(A)	115
(UL/CUL Group C)(V)	600
(UL/CUL Group C)(A)	115
(UL/CUL Group D)(V)	600
(UL/CUL Group D)(A)	5
(UL/CUL Group E)(V)	1000
(UL/CUL Group E)(A)	115
UL/CUL AWG	20
UL/CUL AWG	2
UL/CUL AWG	20
UL/CUL AWG	2

&

가 (YES or NO)	YES
	120
	-40

--	--

