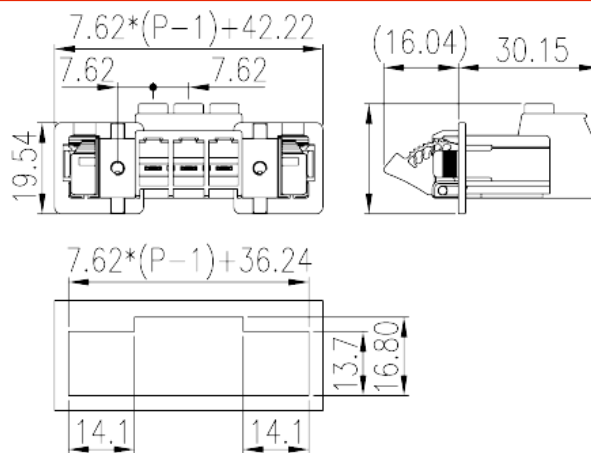
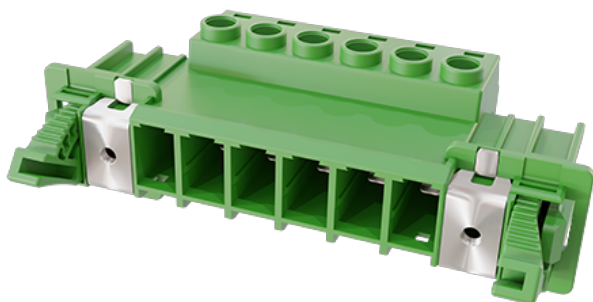


ECSH762FS-XXP

PCB > PCB -

:2026-04-02



Pitch :7.62mm, M3, 600V, 41A

	PCB Connector – Socket, Screw Connection
	PCB Connector – Socket
(mm)	7.62
	Green (default)
	Screw Connection
	With threaded flange
(mm)	$7.62 * (P - 1) + 42.22$
(mm)	46.19
(mm)	23.57
()	02P~12P
	Single level
	2~12
	PA
	I
UL 94	V0
	500M at DC 500V



		COPPER ALLOY
		Tin PLATED
-IEC		
(V)		1000
(A)		41
(II/2)(V)		1000
(III/2)(V)		1000
(III/3)(V)		1000
(II/2)(KV)		8
(III/2)(KV)		8
(III/3)(KV)		8
(mm ²)		0.2
(mm ²)		6
(mm ²)		0.2
(mm ²)		6
(mm ²)	,	0.25
(mm ²)	,	6
(mm ²)	,	0.25
(mm ²)	,	4
2	(mm ²)	0.2
2	(mm ²)	2.5
2	(mm ²)	0.2
2	(mm ²)	4
(mm ²)	2 ,	0.25
(mm ²)	2 ,	1.5
(mm ²)	2 ,	0.5
(mm ²)	2 ,	2.5
		M3
Width)(mm)	(Blade thickness x	0.8x4



Philips	PH1
(N.m)	0.5
(N.m)	0.6
(N.m)	0.5
	10~11

-UL

(UL/CUL Group B)(V)	600
(UL/CUL Group B)(A)	41
(UL/CUL Group C)(V)	600
(UL/CUL Group C)(A)	41
(UL/CUL Group D)(V)	600
(UL/CUL Group D)(A)	5
UL/CUL AWG	30
UL/CUL AWG	8
UL/CUL AWG	30
UL/CUL AWG	8

&

가 (YES or NO)	YES
	120
	-40

UL

(Group B)(AWG)	30~8
(Group B)(V)	600
(Group B)(A)	41
(Group C)(AWG)	30~8
(Group C)(V)	600
(Group C)(A)	41
(Group D)(AWG)	30~8
(Group D)(V)	600
(Group D)(A)	5

CUL

(Group B) (AWG)	30~8
(Group B) (V)	600
(Group B) (A)	41
(Group C) (AWG)	30~8
(Group C) (V)	600
(Group C) (A)	41
(Group D) (AWG)	30~8
(Group D) (V)	600
(Group D) (A)	5

