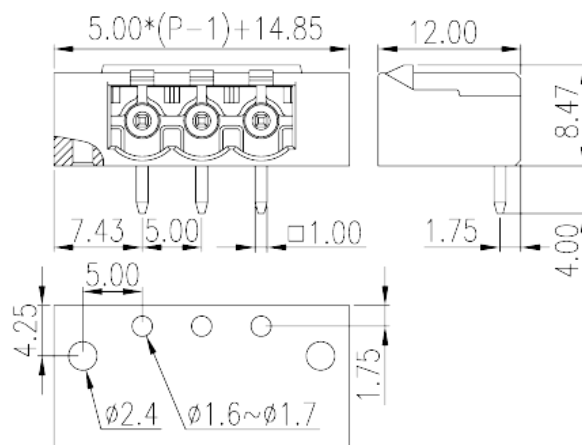
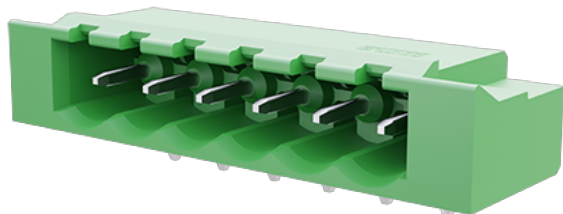


5EHDRG-XXP

PCB > PCB -

:2025-05-10



Pitch :5.00mm, 300V, 15A

	PCB Connector – Socket, Wave soldering
	PCB Connector – Socket
(mm)	5
	Green (default)
	With release tool
	Wave Soldering
(mm)	$5.00 * (P - 1) + 14.85$
(mm)	12
(mm)	8.470000000000001
(x) (mm)	1x1
PCB (mm)	1.6~1.7
()	02P~24P
	Single level
	2~24
	PA
	I



UL 94	V0
	500M at DC 500V
	COPPER ALLOY
	Tin PLATED

-IEC

(V)	630
(A)	18
(II/2)(V)	630
(III/2)(V)	320
(III/3)(V)	320
(II/2)(KV)	4
(III/2)(KV)	4
(III/3)(KV)	4

-UL

(UL/CUL Group B)(V)	300
(UL/CUL Group B)(A)	15
(UL/CUL Group D)(V)	300
(UL/CUL Group D)(A)	10

&

가 (YES or NO)	YES
	120
	-40

