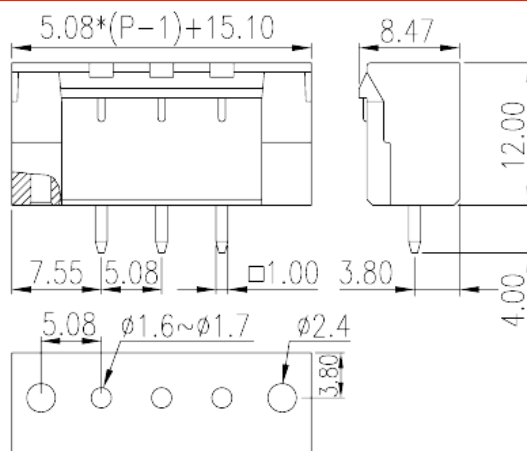
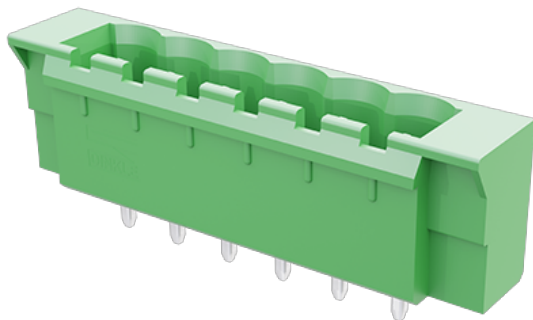


# 2EHDVG-XXP

PCB > PCB -

:2025-05-10



Pitch :5.08mm, 300V, 20A

	PCB Connector – Socket, Wave soldering
	PCB Connector – Socket
(mm)	5.08
	Green (default)
	With release tool
	Wave Soldering
(mm)	$5.08 \times (P-1) + 15.1$
(mm)	8.470000000000001
(mm)	12
( x ) (mm)	1x1
PCB (mm)	1.6~1.7
( )	02P~24P
	Single level
	2~24
	PA
	I



UL 94	V0
	500M at DC 500V
	COPPER ALLOY
	Tin PLATED

**-IEC**

(V)	630
(A)	18
(II/2)(V)	630
(III/2)(V)	320
(III/3)(V)	320
(II/2)(KV)	4
(III/2)(KV)	4
(III/3)(KV)	4

**-UL**

(UL/CUL Group B)(V)	300
(UL/CUL Group B)(A)	20
(UL/CUL Group D)(V)	300
(UL/CUL Group D)(A)	10

**&**

가 (YES or NO)	YES
	120
	-40