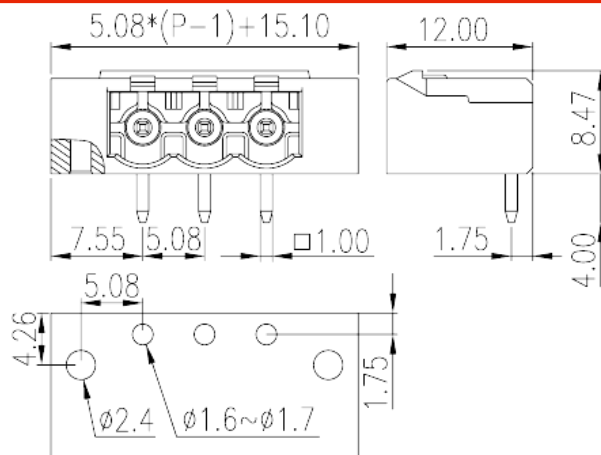
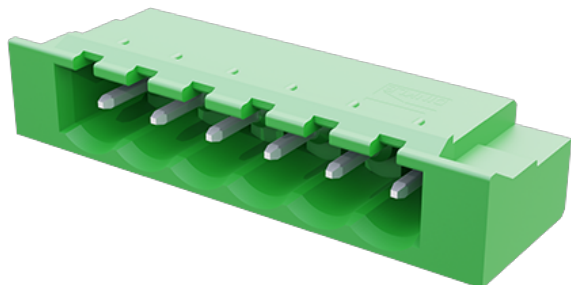


# 2EHDRG-XXP

PCB > PCB -

:2026-07-06



Pitch :5.08mm, 300V, 15A

	PCB Connector – Socket, Wave soldering
	PCB Connector – Socket
(mm)	5.08
	Green (default)
	With release tool
	Wave Soldering
(mm)	$5.08*(P-1) + 15.1$
(mm)	12
(mm)	8.47
(   x   ) (mm)	1x1
PCB (mm)	1.6~1.7
(   )	02P~24P
	Single level
	2~24
	PA
	I



UL 94	V0
	500M at DC 500V
	COPPER ALLOY
	Tin PLATED

**-IEC**

(V)	630
(A)	18
(II/2)(V)	630
(III/2)(V)	320
(III/3)(V)	320
(II/2)(KV)	4
(III/2)(KV)	4
(III/3)(KV)	4

**-UL**

(UL/CUL Group B)(V)	300
(UL/CUL Group B)(A)	15
(UL/CUL Group D)(V)	300
(UL/CUL Group D)(A)	10

**&**

가 (YES or NO)	YES
	120
	-40

**UL**

(Group B)(V)	300
(Group B)(A)	15
(Group D)(V)	300
(Group D)(A)	10

**CUL**

(Group B)(V)	300
(Group B)(A)	15

(Group D) (V)	300
(Group D) (A)	10

