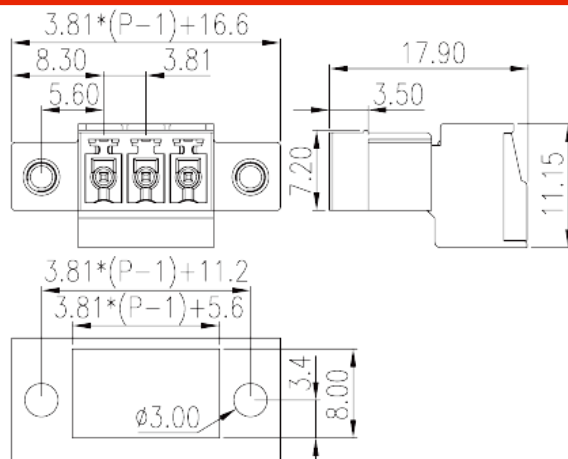
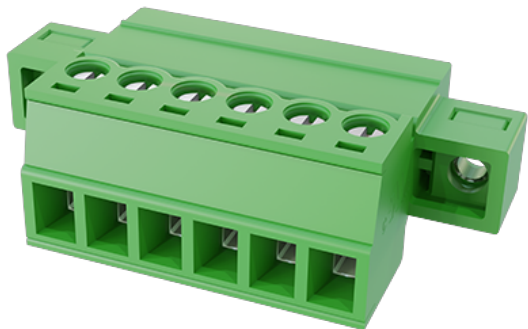


ECSH381K-XXP

PCB > PCB -

:2026-07-06



Pitch :3.81mm, M2, 300V, 8A

	PCB Connector – Socket, Screw Connection
	PCB Connector – Socket
(mm)	3.81
	Green (default)
	Screw Connection
	Without
(mm)	$3.81*(P-1) + 16.6$
(mm)	17.8
(mm)	11.15
()	02P~24P
	Single level
	02~24
	PA
	I
UL 94	V0
	500M at DC 500V



		COPPER ALLOY
		Tin PLATED
-IEC		
(V)		320
(A)		12
(II/2)(V)		320
(III/2)(V)		160
(III/3)(V)		160
(II/2)(KV)		2.5
(III/2)(KV)		2.5
(III/3)(KV)		2.5
(mm ²)		0.2
(mm ²)		1.5
(mm ²)		0.2
(mm ²)		1.5
(mm ²)	,	0.25
(mm ²)	,	0.75
(mm ²)	,	0.25
(mm ²)	,	0.5
2	(mm ²)	0.2
2	(mm ²)	0.75
2	(mm ²)	0.2
2	(mm ²)	0.75
(mm ²)	2 ,	0.25
(mm ²)	2 ,	0.5
(mm ²)	2 (mm ²) ,	0.5
(mm ²)	2 (mm ²) ,	0.5
Width)(mm)	(Blade thickness x	M2 0.4x2.5



(N.m)	0.2
(N.m)	0.25
(N.m)	0.2
	6~7

-UL

(UL/CUL Group B)(V)	300
(UL/CUL Group B)(A)	8
(UL/CUL Group D)(V)	300
(UL/CUL Group D)(A)	8
UL/CUL AWG	30
UL/CUL AWG	14

&

가 (YES or NO)	YES
	120
	-40

UL

(Group B)(AWG)	30~14
(Group B)(V)	300
(Group B)(A)	8
(Group D)(AWG)	30~14
(Group D)(V)	300
(Group D)(A)	8

CUL

(Group B)(AWG)	30~14
(Group B)(V)	300
(Group B)(A)	8
(Group D)(AWG)	30~14
(Group D)(V)	300
(Group D)(A)	8

