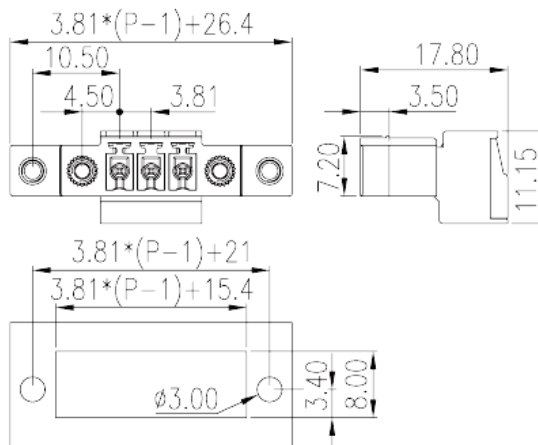
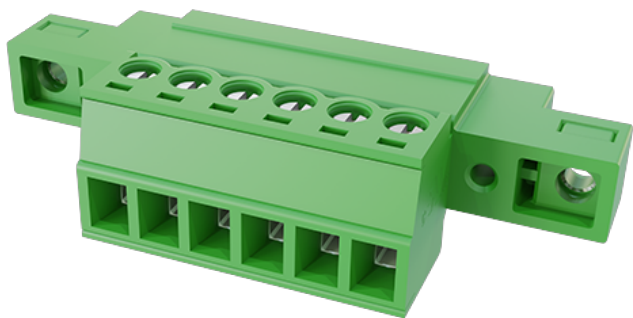


ECSH381MK- XXP

PCB > PCB -

:2026-07-06



Pitch :3.81mm, M2, 300V, 8A

	PCB Connector – Socket, Screw Connection
	PCB Connector – Socket
(mm)	3.81
	Green (default)
	Screw Connection
	With threaded flange
(mm)	$3.81*(P-1)+26.4$
(mm)	17.8
(mm)	11.15
()	02P~22P
	Single level
	2~22
	PA
	I



UL 94	V0
	500M at DC 500V
	COPPER ALLOY
	Tin PLATED

-IEC

(V)	320
(A)	12
(II/2)(V)	320
(III/2)(V)	160
(III/3)(V)	160
(II/2)(KV)	2.5
(III/2)(KV)	2.5
(III/3)(KV)	2.5
(mm ²)	0.2
(mm ²)	1.5
(mm ²)	0.2
(mm ²)	1.5
(mm ²) , ,	0.25
(mm ²) , ,	0.75
(mm ²) , ,	0.25
(mm ²) , ,	0.5
2 (mm ²)	0.2
2 (mm ²)	0.75
2 (mm ²)	0.2
2 (mm ²)	0.75
(mm ²) 2 , ,	0.25
(mm ²) 2 , ,	0.5
2 (mm ²) , ,	0.5
2 (mm ²) , ,	0.5



		M2
Width)(mm)	(Blade thickness x	0.4x2.5
	(N.m)	0.2
	(N.m)	0.25
	(N.m)	0.2
		6~7

-UL

(UL/CUL Group B)(V)		300
(UL/CUL Group B)(A)		8
(UL/CUL Group D)(V)		300
(UL/CUL Group D)(A)		8
UL/CUL	AWG	30
UL/CUL	AWG	14

&

가	(YES or NO)	YES
		120
		-40

UL

(Group B)(AWG)		30~14
(Group B)(V)		300
(Group B)(A)		8
(Group D)(AWG)		30~14
(Group D)(V)		300
(Group D)(A)		8

CUL

(Group B)(AWG)		30~14
(Group B)(V)		300
(Group B)(A)		8
(Group D)(AWG)		30~14
(Group D)(V)		300

