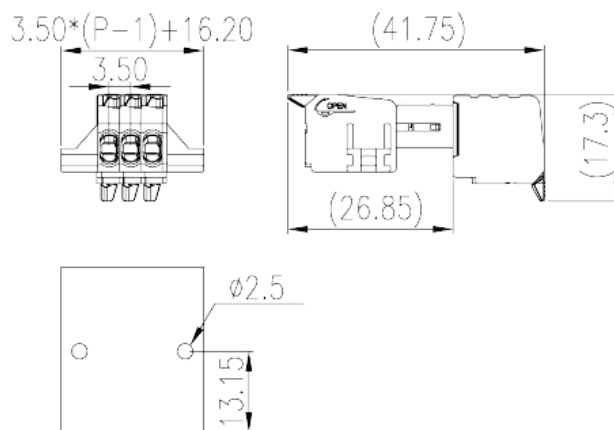
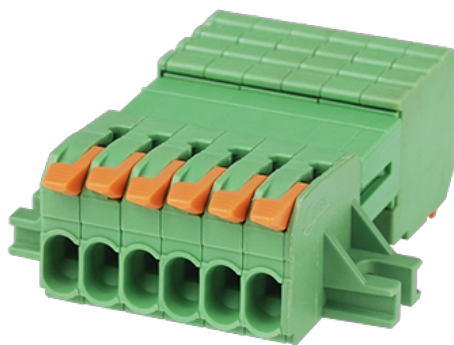


# 0218-25XXM025

## 6-31

PCB > PCB -

:2026-04-02



Pitch : 3.50 mm, 300V, 8A

	Pluggable terminal block, Push-in Design
	Terminal Block
(mm)	3.5
	Green (default)
	Push-in Design
	Without
(mm)	$3.50 * (P - 1) + 16.2$
(mm)	41.75
(mm)	17.3
( )	02P~24P
	Single level
	2~24
	PA
	I

UL 94	V0
	500M at DC 500V
	COPPER ALLOY
	Tin PLATED

**-IEC**

(V)	320
(A)	10
(II/2)(V)	320
(III/2)(V)	160
(III/3)(V)	160
(II/2)(KV)	2.5
(III/2)(KV)	2.5
(III/3)(KV)	2.5
(mm <sup>2</sup> )	0.14
(mm <sup>2</sup> )	1.5
(mm <sup>2</sup> )	0.14
(mm <sup>2</sup> )	1.5
(mm <sup>2</sup> ) , ,	0.25
(mm <sup>2</sup> ) , ,	1.5
(mm <sup>2</sup> ) , ,	0.25
(mm <sup>2</sup> ) , ,	0.75
<sup>2</sup> (mm <sup>2</sup> ) , ,	0.5
<sup>2</sup> (mm <sup>2</sup> ) , ,	0.5
(N.m)	0.1
	9~10

**-UL**

(UL/CUL Group B)(V)	300
(UL/CUL Group B)(A)	8
(UL/CUL Group D)(V)	300
(UL/CUL Group D)(A)	8

UL/CUL	AWG	28
UL/CUL	AWG	16
UL/CUL	AWG	28
UL/CUL	AWG	16

&

가	(YES or NO)	YES
		120
		-40

