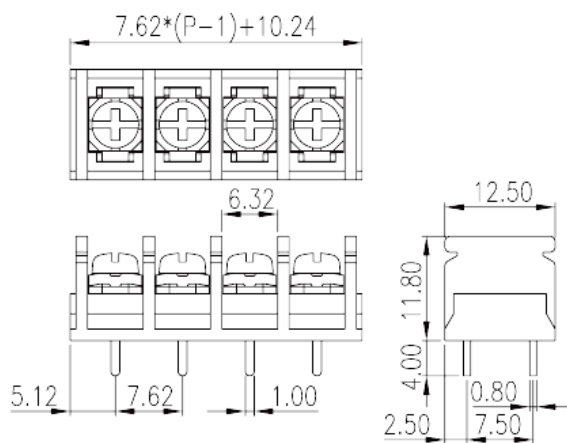
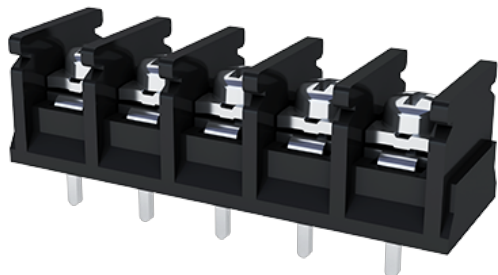


0186-10XX

>

:2026-07-05



Pitch: 7.62mm, M3, 300V, 10A

	Single Row, Screw Connection
	Single Row
(mm)	7.62
	Black (default)
	Screw connection
	Without
	Wave Soldering
(mm)	$7.62 \times (P-1) + 10.24$
(mm)	12.5
(mm)	11.8
(x) (mm)	0.8x1
PCB (mm)	1.6
()	02P~11P
	Single Row
	2~11
	PBT



	IIIa
UL 94	V0
	1000M at DC 500V
	COPPER ALLOY
	Tin PLATED

-IEC

(V)		320
(A)		17.5
(II/2)(V)		400
(III/2)(V)		320
(III/3)(V)		250
(II/2)(KV)		4
(III/2)(KV)		4
(III/3)(KV)		4
(mm ²)		0.34
(mm ²)		1.5
(mm ²)		0.34
(mm ²)		1.5
2	(mm ²)	0.34
2	(mm ²)	1.5
2	(mm ²)	0.34
2	(mm ²)	1.5
		M3
Width)(mm)	(Blade thickness x	0.8x4
Philips		PH2
	(N.m)	0.5
	(N.m)	0.6
		9~10

-UL

(UL/CUL Group B)(V)	300
(UL/CUL Group B)(A)	10
(UL/CUL Group D)(V)	300

(UL/CUL Group D)(A)		10
UL/CUL	AWG	22
UL/CUL	AWG	16
UL/CUL	AWG	22
UL/CUL	AWG	16
&		
(YES or NO)		YES
		120
		-40

