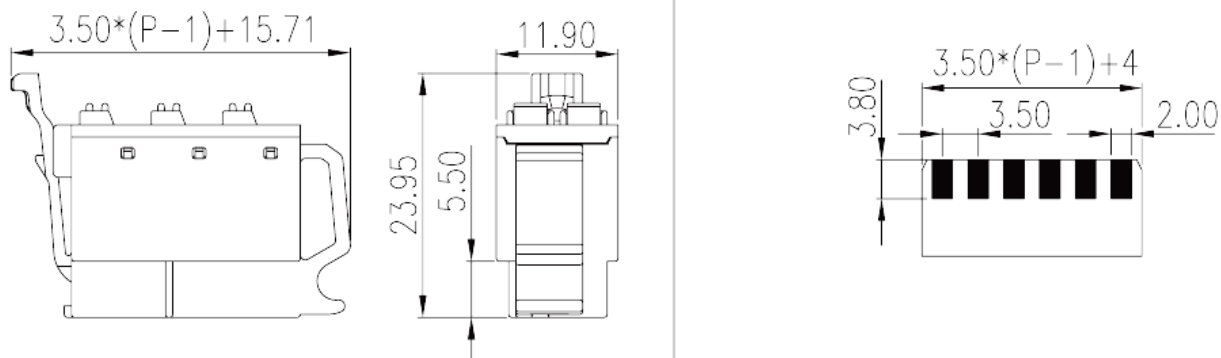


# 0184-01XX

PCB > PCB -

:2026-07-06



Pitch :3.50mm, 150V, 8A

	PCB Connector, Push-in Design
	PCB Connector – Plug
(mm)	3.50
	Refer to drawing
	Push-in Design
	With lock flang
(mm)	$3.50 * (P - 1) + 15.71$
(mm)	11.9
(mm)	23.95
( )	16P~18P
	Double level
	PA
	I
UL 94	V0
	500M at DC 500V
	COPPER ALLOY

Tin PLATED

**-IEC**

(V)	320
(A)	8
(II/2)(V)	320
(III/2)(V)	160
(III/3)(V)	63
(II/2)(KV)	2.5
(III/2)(KV)	2.5
(III/3)(KV)	2.5
(mm <sup>2</sup> )	0.2
(mm <sup>2</sup> )	1.5
(mm <sup>2</sup> )	0.2
(mm <sup>2</sup> )	1.5
(mm <sup>2</sup> ) , ,	0.25
(mm <sup>2</sup> ) , ,	1.5
(mm <sup>2</sup> ) , ,	0.25
(mm <sup>2</sup> ) , ,	1.5
Philips	0.5x3
	8~9

**-UL**

(UL/CUL Group B)(V)	150
(UL/CUL Group B)(A)	8
UL/CUL AWG	24
UL/CUL AWG	16
UL/CUL AWG	24
UL/CUL AWG	16

**&**

가 (YES or NO)	YES
	120

