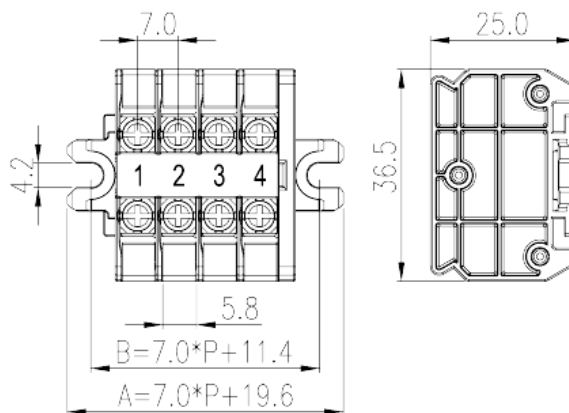


DKB15N-XXPK

NEMA

>

:2026-07-04



Pitch : 7.00mm, M3, 600V, 15/20A

	Panel Mounting, Screw Connection
	Panel Mounting
(mm)	7
	Refer to drawing
	Screw Connection
(mm)	$7.00 * P + 19.6$
(mm)	36.5
(mm)	25
()	01P~20P
	Single level
	2~40
	PC
	a
UL 94	V2
	1000M at DC 500V
	COPPER ALLOY



Tin PLATED

-IEC

(V)	630
(A)	17.5
(III/3)(V)	630
(III/3)(KV)	8
(mm ²)	0.2
(mm ²)	1.5
(mm ²)	0.2
(mm ²)	1.5
	M3
Philips	PH2
(N.m)	0.6~1
(N.m)	0.6
(N.m)	1
(N.m)	0.8
	9~10The stripping length depends on the specification provided by the cablelug manufacturer
	TS-35N、TS-35/15N
	YES
	NO

-UL

(UL/CUL Group B)(V)	600
(UL/CUL Group B)(A)	8
(UL/CUL Group C)(V)	600
(UL/CUL Group C)(A)	15
(UL/CUL Group D)(V)	600
(UL/CUL Group D)(A)	15
UL/CUL AWG	26
UL/CUL AWG	14
UL/CUL AWG	26
UL/CUL AWG	14

&



(YES or NO)	YES
가 (YES or NO)	NO
	125
	-40

UL

(Group B)(AWG)	26-14/(2)26-(2)16
(Group B)(V)	600
(Group B)(A)	15/20
(Group C)(AWG)	26-14/(2)26-(2)16
(Group C)(V)	600
(Group C)(A)	15/20
(Group D)(AWG)	26-14/(2)26-(2)16
(Group D)(V)	600
(Group D)(A)	5

CUL

(Group B)(AWG)	26-14/(2)26-(2)16
(Group B)(V)	600
(Group B)(A)	15/20
(Group C)(AWG)	26-14/(2)26-(2)16
(Group C)(V)	600
(Group C)(A)	15/20
(Group D)(AWG)	26-14/(2)26-(2)16
(Group D)(V)	600
(Group D)(A)	5

--	--

