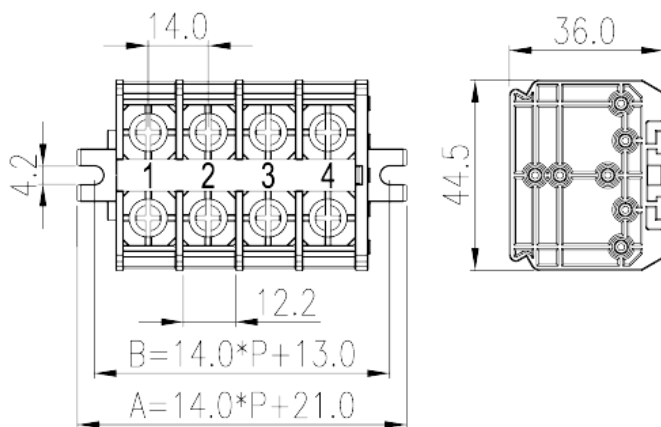


DKB60N-XXPK

NEMA

>

:2026-07-04



Pitch : 14mm, M5, 600V, 60/90A

	Panel Mounting, Screw Connection
	Panel Mounting
(mm)	14
	Refer to drawing
	Screw Connection
(mm)	$14.00 * P + 21$
(mm)	44.5
(mm)	36
()	01P~16P
	Single level
	2~32
	PC
	a
UL 94	V2
	1000M at DC 500V
	COPPER ALLOY

		Tin PLATED
-IEC		
(V)		630
(A)		57/76(with Fork Terminal)
(III/3)(V)		630
(III/3)(KV)		8
(mm ²)		0.5
(mm ²)		10
(mm ²)		0.5
(mm ²)		10
2	(mm ²)	10
2	(mm ²)	10
		M5
Philips		PH2
(N.m)		1.6~1.8
(N.m)		1.6
(N.m)		1.8
(N.m)		0.8
		13~14 The stripping length depends on the specification provided by the cablelug manufacturer
		TS-35N、TS-35/15N
		YES
		NO
-UL		
(UL/CUL Group B)(V)		600
(UL/CUL Group B)(A)		50A /60A(with Fork Terminal)
(UL/CUL Group C)(V)		600
(UL/CUL Group C)(A)		50A /60A(with Fork Terminal)
(UL/CUL Group D)(V)		600
(UL/CUL Group D)(A)		50A /60A(with Fork Terminal)
UL/CUL	AWG	20
UL/CUL	AWG	8
UL/CUL	AWG	20



UL/CUL	AWG	8
&		
	(YES or NO)	YES
가	(YES or NO)	NO
		125
		-40

UL

	(Group B)(AWG)	20-6/(2)20-(2)8
	(Group B)(V)	600
	(Group B)(A)	60/90
	(Group C)(AWG)	20-6/(2)20-(2)8
	(Group C)(V)	600
	(Group C)(A)	60/90
	(Group D)(AWG)	20-6/(2)20-(2)8
	(Group D)(V)	600
	(Group D)(A)	5

CUL

	(Group B)(AWG)	20-6/(2)20-(2)8
	(Group B)(V)	600
	(Group B)(A)	60/90
	(Group C)(AWG)	20-6/(2)20-(2)8
	(Group C)(V)	600
	(Group C)(A)	60/90
	(Group D)(AWG)	20-6/(2)20-(2)8
	(Group D)(V)	600
	(Group D)(A)	5

--	--	--

