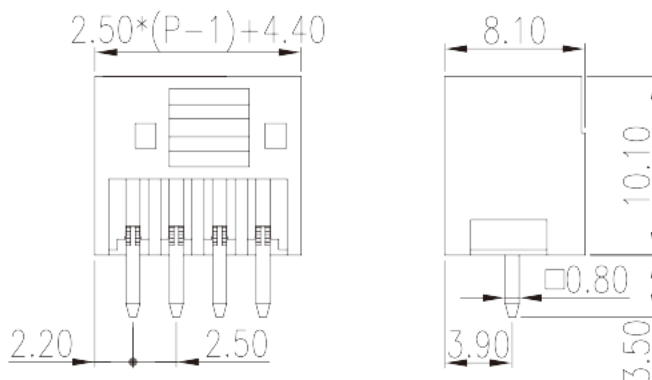
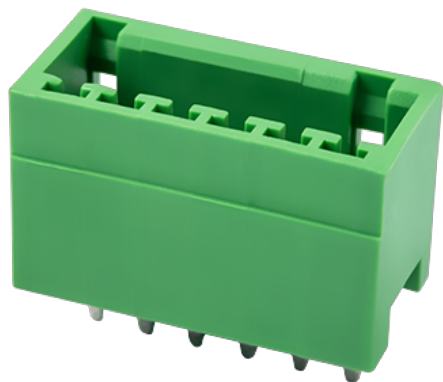


# ECH250V-XXP

PCB > PCB -

:2026-07-04 :V1



Pitch : 2.50 mm, 150V, 4A

	PCB Connector – Socket, Wave soldering
	PCB Connector – Socket
(mm)	2.50
	Green (default)
	Without
	Wave soldering
(mm)	$2.50 * (P-1) + 4.4$
(mm)	8.1
(mm)	10.1
(    x    ) (mm)	0.8x0.8
PCB (mm)	1.3
(    )	02P~24P
	Single level
	PA
	I
UL 94	V0



	500M at DC 500V
	COPPER ALLOY
	Tin PLATED

**-IEC**

(V)	320
(A)	4
(II/2)(V)	320
(III/2)(V)	160
(III/3)(V)	160
(II/2)(KV)	2.5
(III/2)(KV)	2.5
(III/3)(KV)	2.5

**-UL**

(UL/CUL Group B)(V)	150
(UL/CUL Group B)(A)	4
(UL/CUL Group D)(V)	150
(UL/CUL Group D)(A)	4

**&**

가 (YES or NO)	YES
	120
	-40

**UL**

(Group B)(V)	150
(Group B)(A)	4
(Group D)(V)	150
(Group D)(A)	4

**CUL**

(Group B)(V)	150
(Group B)(A)	4
(Group D)(V)	150

(Group D)(A)

4

