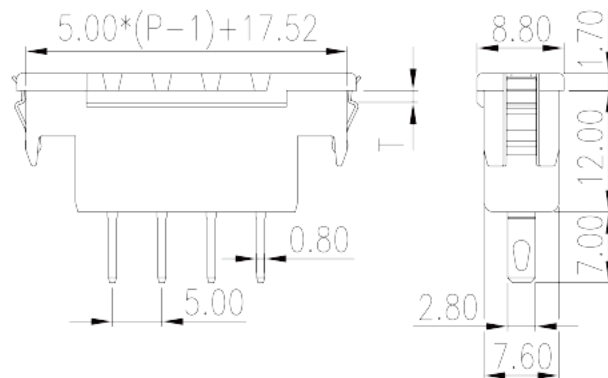
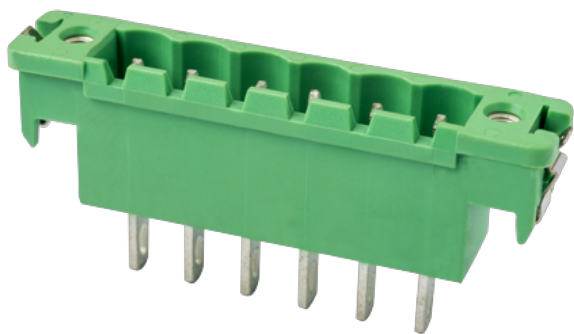


5EHDKM-XXP/T

PCB > PCB -

:2026-07-04 :V1



Pitch : 5.00 mm, 300V, 15A (T1.0、 1.2、 1.4、 1.6)

	PCB Connector – Socket, Wave soldering
	PCB Connector – Socket
(mm)	5.00
	Green (default)
	With lock flange
	Iron Soldering
(mm)	$5.00 * (P - 1) + 19.34$
(mm)	8.8
(mm)	12
(x) (mm)	0.8x2.8
()	02P~12P
	Single level
	PA
	I
UL 94	V0
	500M at DC 500V



	COPPER ALLOY
	Tin PLATED

-IEC

(V)	630
(A)	18
(II/2)(V)	630
(III/2)(V)	320
(III/3)(V)	320
(II/2)(KV)	4
(III/2)(KV)	4
(III/3)(KV)	4
(mm ²)	0.2
(mm ²)	2.5
(mm ²)	0.2
(mm ²)	2.5
(N.m)	0.3

-UL

(UL/CUL Group B)(V)	300
(UL/CUL Group B)(A)	15
(UL/CUL Group D)(V)	300
(UL/CUL Group D)(A)	10
UL/CUL AWG	24
UL/CUL AWG	12
UL/CUL AWG	24
UL/CUL AWG	12

&

가 (YES or NO)	YES
	120
	-40

UL

(Group B)(V)	300
--------------	-----

(Group B) (A)	15
(Group D) (V)	300
(Group D) (A)	10

CUL

(Group B) (V)	300
(Group B) (A)	15
(Group D) (V)	300
(Group D) (A)	10

VDE

(V)	600
(A)	18

