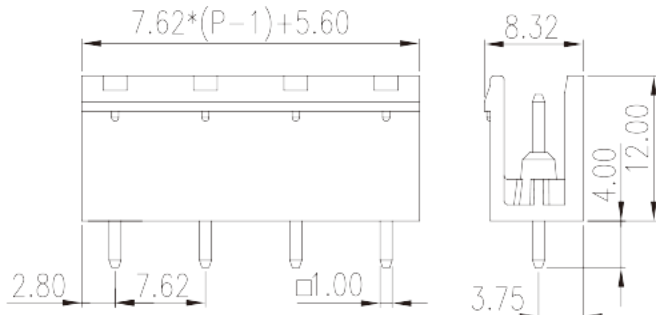
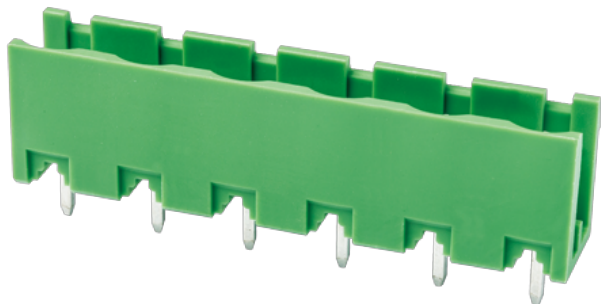


3EHDV-XXP

PCB > PCB -

:2026-07-04 :V1



Pitch : 7.62 mm, 300V, 25A

| | |
|------------------|--|
| | PCB Connector – Socket, Wave soldering |
| | PCB Connector – Socket |
| (mm) | 7.62 |
| | Green (default) |
| | Without |
| | Wave soldering |
| (mm) | $7.62*(P-1)+5.6$ |
| (mm) | 8.32 |
| (mm) | 12 |
| (x) (mm) | 1.0x1.0 |
| PCB (mm) | 1.6~1.7 |
| () | 02P~14P |
| | Single level |
| | PA |
| | I |
| UL 94 | V0 |



| | |
|--|-----------------|
| | 500M at DC 500V |
| | COPPER ALLOY |
| | Tin PLATED |

-IEC

| | |
|-------------|-----|
| (V) | 800 |
| (A) | 18 |
| (II/2)(V) | 800 |
| (III/2)(V) | 630 |
| (III/3)(V) | 500 |
| (II/2)(KV) | 6 |
| (III/2)(KV) | 6 |
| (III/3)(KV) | 6 |

-UL

| | |
|---------------------|-----|
| (UL/CUL Group B)(V) | 300 |
| (UL/CUL Group B)(A) | 25 |
| (UL/CUL Group D)(V) | 300 |
| (UL/CUL Group D)(A) | 10 |

&

| | |
|---------------|-----|
| 가 (YES or NO) | YES |
| | 120 |
| | -40 |

UL

| | |
|--------------|-----|
| (Group B)(V) | 300 |
| (Group B)(A) | 25 |
| (Group D)(V) | 300 |
| (Group D)(A) | 10 |

CUL

| | |
|--------------|-----|
| (Group B)(V) | 300 |
| (Group B)(A) | 25 |
| (Group D)(V) | 300 |

(Group D)(A)

10

VDE

(V)

800

(A)

18

