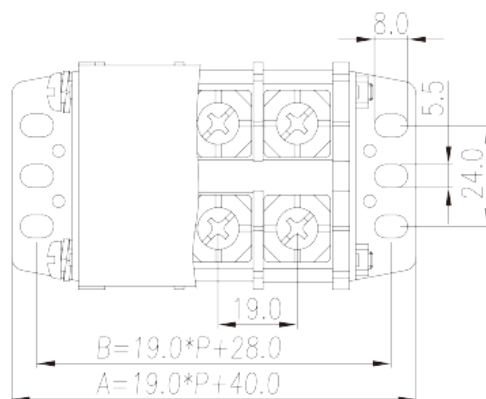
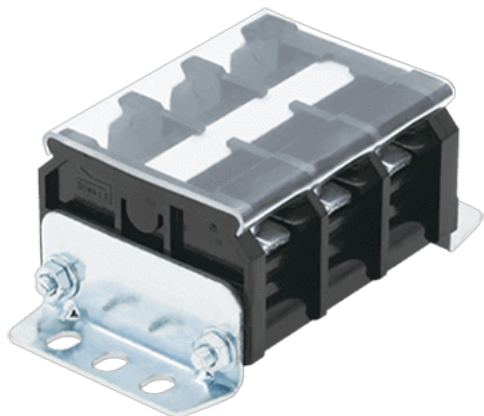


# DKB80-XXPCK

NEMA

>

:2026-07-04



Pitch : 19.00mm, M6, 600V, 85A

	Panel Mounting, Screw Connection
	Panel Mounting
(mm)	19.00
	Refer to drawing
	Screw connection
	Panel Mounting
(mm)	19*P+40
(mm)	54
(mm)	Refer to drawing
( )	02P~12P
	Single level
	4~24
	PC
	IIIa
UL 94	V2
	1000M at DC 500V



		COPPER ALLOY
		Ni PLATED
<b>-IEC</b>		
(V)		800
(A)		76/101
(III/3)(V)		630
(III/3)(KV)		8
(mm <sup>2</sup> )		0.75
(mm <sup>2</sup> )		16
(mm <sup>2</sup> )		0.75
(mm <sup>2</sup> )		16
		M6
Philips		PH2
(N.m)		3
(N.m)		2.5
(N.m)		3
	16~17 The stripping length depends on the specification provided by the cable lug manufacturer	
		YES
		NO
<b>-UL</b>		
(UL/CUL Group B)(V)		600
(UL/CUL Group B)(A)		85
(UL/CUL Group C)(V)		600
(UL/CUL Group C)(A)		85
UL/CUL	AWG	18
UL/CUL	AWG	4
UL/CUL	AWG	18
UL/CUL	AWG	4
<b>&amp;</b>		
(YES or NO)		YES
가 (YES or NO)		NO



	125
	-40

### UL

(Group B)(AWG)	18~4
(Group B)(V)	600
(Group B)(A)	85
(Group C)(AWG)	18~4
(Group C)(V)	600
(Group C)(A)	85

### CUL

(Group B)(AWG)	18~4
(Group B)(V)	600
(Group B)(A)	85
(Group C)(AWG)	18~4
(Group C)(V)	600
(Group C)(A)	85

### VDE

(mm <sup>2</sup> )	0.75~25
(V)	800
(A)	76(0.75~16mm <sup>2</sup> ) / 101(25mm <sup>2</sup> With Ring terminal)

--	--

