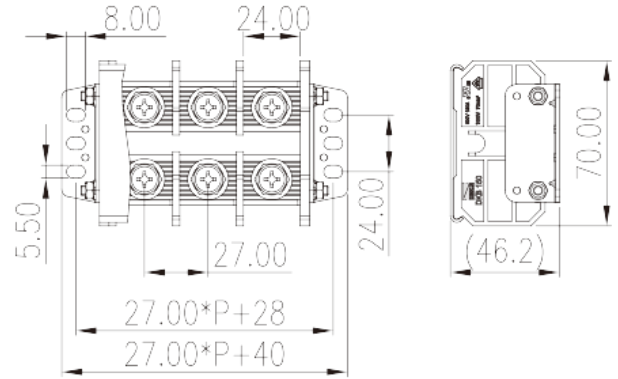
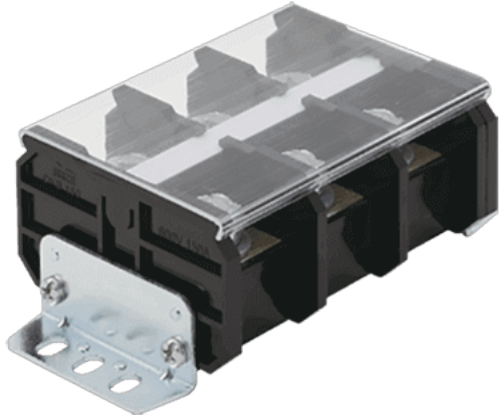


DKB150-XXPCK

NEMA >

:2026-07-04



Pitch : 27.00mm, M8, 600V, 190A

	Panel Mounting, Screw Connection
	Panel Mounting
(mm)	27.00
	Refer to drawing
	Screw connection
	Panel Mounting
(mm)	27*P+40
(mm)	70
(mm)	Refer to drawing
()	02P~12P
	Single level
	4~24
	PC
	IIIa
UL 94	V2
	1000M at DC 500V



		COPPER ALLOY
		Ni PLATED
-IEC		
(V)		1000
(A)		192
(III/3)(V)		1000
(III/3)(KV)		8
(mm ²)		10
(mm ²)		70
(mm ²)		10
(mm ²)		70
		M8
Philips		PH3
(N.m)		4.2
(N.m)		3.5
(N.m)		4.2
	The stripping length depends on the specification provided by the cable lug manufacturer	
		YES
		NO
-UL		
(UL/CUL Group B)(V)		600
(UL/CUL Group B)(A)		190
(UL/CUL Group C)(V)		600
(UL/CUL Group C)(A)		190
UL/CUL	AWG	8
UL/CUL	AWG	3/0
UL/CUL	AWG	8
UL/CUL	AWG	3/0
&		
(YES or NO)		YES
가 (YES or NO)		NO

	125
	-40

UL

(Group B)(AWG)	8~3/0
(Group B)(V)	600
(Group B)(A)	190
(Group C)(AWG)	8~3/0
(Group C)(V)	600
(Group C)(A)	190

CUL

(Group B)(AWG)	8~3/0
(Group B)(V)	600
(Group B)(A)	190
(Group C)(AWG)	8~3/0
(Group C)(V)	600
(Group C)(A)	190

VDE

(mm ²)	10~70
(V)	1000
(A)	192

