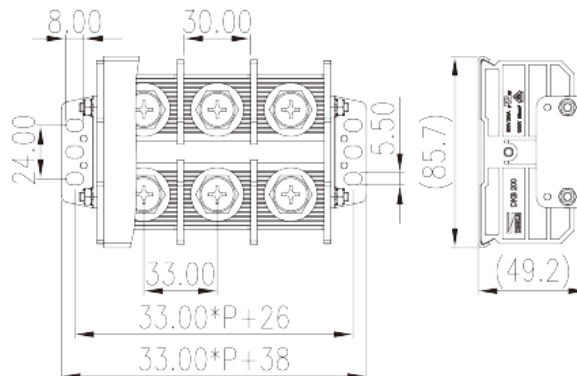
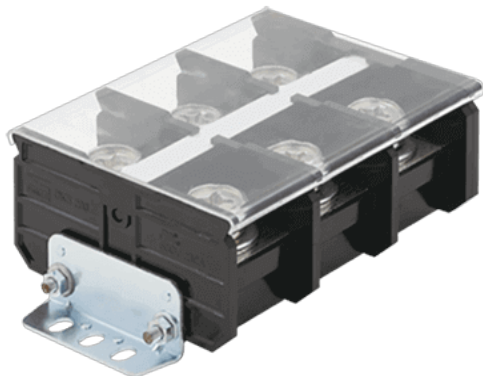


DKB200-XXPCK

NEMA

>

:2026-07-04



Pitch : 33.00mm, M10, 600V, 230A

	Panel Mounting, Screw Connection
	Panel Mounting
(mm)	33.00
	Refer to drawing
	Screw connection
	Panel Mounting
(mm)	33*P+38
(mm)	84.5
(mm)	Refer to drawing
()	01P~12P
	Single level
	2~24
	PC
	IIIa
UL 94	V2
	1000M at DC 500V



	COPPER ALLOY
	Ni PLATED

-IEC

(V)	1000
(A)	232
(III/3)(V)	1000
(III/3)(KV)	8
	M10
Philips	PH4
(N.m)	5
(N.m)	4
(N.m)	5
	The stripping length depends on the specification provided by the cable lug manufacturer
	YES
	NO

-UL

(UL/CUL Group B)(V)	600
(UL/CUL Group B)(A)	230
(UL/CUL Group C)(V)	600
(UL/CUL Group C)(A)	230
UL/CUL AWG	8
UL/CUL AWG	4/0
UL/CUL AWG	8
UL/CUL AWG	4/0

&

(YES or NO)	YES
가 (YES or NO)	NO
	125
	-40

UL

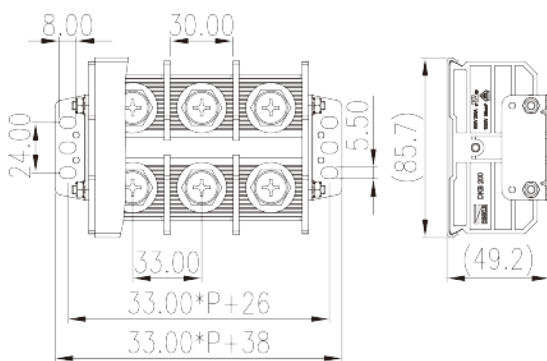
(Group B)(AWG)	8~4/0
(Group B)(A)	230
(Group C)(AWG)	8~4/0
(Group C)(V)	600
(Group C)(A)	230

CUL

(Group B)(AWG)	8~4/0
(Group B)(V)	600
(Group B)(A)	230
(Group C)(AWG)	8~4/0
(Group C)(V)	600
(Group C)(A)	230

VDE

(mm ²)	10~95
(V)	1000
(A)	232





Delight Through Connections